



- Zones 1/21 und 2/22
- Extremely robust
- Fully bolted or hinged

BARTEC stainless steel housings and distribution boxes are designed and approved for Zone 1 and 2 as well as Zone 21 and 22. They are particularly suitable for applications under extreme environmental conditions, and they provide reliable protection under heavy loads. The housings are made from 1.4301 (V2 A) or 1.4404 stainless steel (V4 A). The series includes empty housings and distribution boxes with door or cover. From a housing height of 120 mm, the housings can be supplied with or without flange plates. In addition to 25 standard sizes, approved customer-specific design variants are also available.

**Explosion protection**

Marking acc. to EN 60079-0 for empty enclosures/cabinets

- ⊕ II 2G Ex eb IIC Gb
- ⊕ II 2D Ex tb IIIC Gb

for distribution boxes

- ⊕ II 2G Ex eb IIC T6, T5 Gb
- ⊕ II 2G Ex eb ia/ib IIC T6, T5 Gb
- ⊕ II 2D Ex tb IIIC T80 °C, T95 °C Db

Certification Empty enclosure

IBExU99ATEX1118 U  
IECEXIBE09.0016 U

Terminal box

IBExU99ATEX1096  
IECEXIBE09.0017

Other approvals and certificates, see [www.bartec.de](http://www.bartec.de)

Marking EPDM gasket

- 20 °C to + 40 °C at T6
- 20 °C to + 55 °C at T5

Silicone gasket (only ST/ST)

- 55 °C to + 40 °C at T6
- 55 °C to + 55 °C at T5

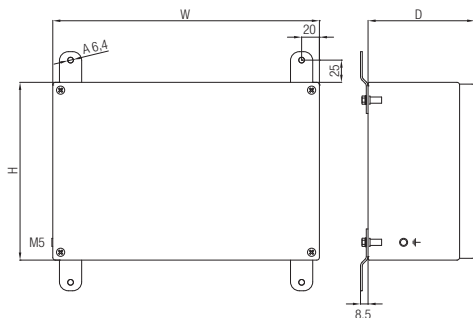
**Technical data**

Material	1.4404, AISI 316 L high quality stainless steel optional 1.4301, AISI 304 high quality stainless steel
Surface	brushed, painted or electro polished on request
Standard seals	EPDM
Mechanical strength	Impact energy 7 Nm
Version	with or without gland plates
Standard sizes	see selection chart
Protection class	max. IP 66 EN/IEC 60529
Rated maximum current	please refer to Operating Instructions Document, page 4–10  <a href="https://www.bartec.de/ProdCatalogue/Assets/Manuals/Ing_0/EN_Distribution_Box_07_5101(2).pdf">https://www.bartec.de/ProdCatalogue/Assets/Manuals/Ing_0/EN_Distribution_Box_07_5101(2).pdf</a>

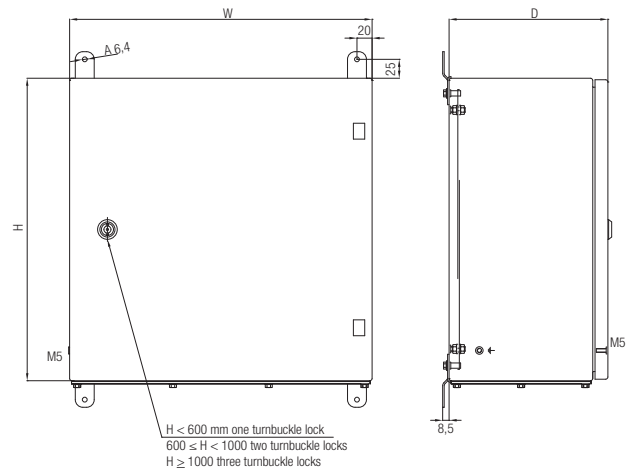
**Scope of delivery**

The scope of delivery includes wall attachment straps, internal and external PE connection, as well as a mounting plate for the empty housings/distribution cabinets.

**Enclosure dimensions**



**Cabinet dimensions**





**Ordering information**

Version	Code no.	Enclosure with lid (w x h x d)	Code no.	Enclosure with hinged door (w x h x d)	Code no.	Flanges Side A, B, (E)	Code no.	Flanges Side C, D, (E)	Code no.
Empty Enclosure Ex eb	1	100 x 100 x 60 mm	17	200 x 300 x 155 mm	51	without	1	without	1
		150 x 150 x 80 mm	01						
Distribution Box Ex eb II	2	400 x 150 x 80 mm	10	380 x 300 x 155 mm	54	Face A	2	Face C	2
		200 x 200 x 80 mm	03	300 x 380 x 210 mm	52				
		300 x 200 x 80 mm	22	400 x 400 x 210 mm	57	Face B	3	Face D	3
150 x 150 x 100 mm	02								
Distribution Box Ex eb [ia/ib] II C	3	200 x 200 x 120 mm	04	400 x 600 x 210 mm	58	Face A + B	4	Face C + D	4
		300 x 200 x 120 mm	06						
Distribution Box Ex i II	4	400 x 200 x 120 mm	11	600 x 600 x 210 mm	59	Face E + A	5	Face E + C	5
		600 x 200 x 120 mm	25	600 x 760 x 210 mm	60				
Distribution Box Ex i II	5	300 x 300 x 120 mm	07	600 x 800 x 300 mm	61	Face E + B	6	Face E + D	6
		300 x 300 x 160 mm	08						
		380 x 380 x 160 mm	26	800 x 800 x 300 mm	62	Face E + A + B	7		
400 x 200 x 160 mm	12								
Distribution Box Non-Ex	7	400 x 400 x 160 mm	14	800 x 1000 x 300 mm	63	Face E	8	Face E + D + C	7
		500 x 400 x 160 mm	15						

or

Complete order no.

07-56   -

Please enter code number.

Example: Ex eb distribution box with hinged door

Dimensions: 400 x 400 x 210 mm with gland plates on face B + C + D

Type 07-56D2-5734

Technical data subject to change without notice.

Design	Code no.	
	304	316 L
Enclosure with screwed lid	A	B
Enclosure with hinged door	C	D



The table on this page applies to the following high-quality stainless steel junction boxes:

Ex eb-Enclosure, empty 07-56.1-....    Ex eb/Ex i-Junction Box 07-56.3-....    IP Junction Box 07-56.7-....  
 Ex eb-Junction Box 07-56.2-....    Ex i-Junction Box 07-56.4-....

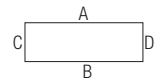
**High-quality stainless steel junction boxes** Rail-mounted terminal components/maximum number

High-quality stainless steel junction boxes without flanges Article no.	External dimensions in mm (L x W x H)	AKZ4 03-7112-0008		WDU 2.5 03-7111-0012		WDU 4 03-7112-0015	
	Lid	Mounting rail	Mounting rail	Mounting rail	Mounting rail	Mounting rail	Mounting rail
07-56 □□ -1711	100 x 100 x 60	1	7	-	-	-	-
07-56 □□ -0111	150 x 150 x 80	2	13	1	16	1	13
07-56 □□ -1011	400 x 150 x 80	2	54	1	65	1	54
07-56 □□ -0311	200 x 200 x 80	2	21	1	25	1	21
07-56 □□ -2211	300 x 200 x 80	2	37	1	45	1	38
07-56 □□ -0211	150 x 150 x 100	2	13	1	16	1	13
07-56 □□ -0411	200 x 200 x 120	-	-	1	25	1	21
07-56 □□ -0611	300 x 200 x 120	-	-	1	45	1	38
07-56 □□ -1111	400 x 200 x 120	-	-	1	65	1	54
07-56 □□ -2511	600 x 200 x 120	-	-	1	104	1	87
07-56 □□ -0711	300 x 300 x 120	-	-	2	45	2	38
07-56 □□ -0811	300 x 300 x 160	-	-	2	45	2	38
07-56 □□ -2611	380 x 380 x 160	-	-	3	61	3	51
07-56 □□ -1211	400 x 200 x 160	-	-	1	65	1	54
07-56 □□ -1411	400 x 400 x 160	-	-	4	65	4	54
07-56 □□ -1511	500 x 400 x 160	-	-	4	84	4	70
Hinged door							
07-56 □□ -5111	200 x 300 x 155	-	-	2	21	2	18
07-56 □□ -5411	380 x 300 x 155	-	-	2	60	2	50
07-56 □□ -5211	300 x 380 x 210	-	-	3	45	3	37
07-56 □□ -5711	400 x 400 x 210	-	-	3	64	3	54
07-56 □□ -5811	400 x 600 x 210	-	-	5	64	5	54
07-56 □□ -5911	600 x 600 x 210	-	-	5	103	5	86
07-56 □□ -6011	600 x 760 x 210	-	-	6	103	6	86
07-56 □□ -6111	600 x 800 x 300	-	-	7	103	7	86
07-56 □□ -6211	800 x 800 x 300	-	-	7	142	7	118
07-56 □□ -6311	800 x 1000 x 300	-	-	9	142	9	118

Technical data subject to change without notice.



The table on this page applies to the following high-quality stainless steel junction boxes: Ex eb-Enclosure, empty 07-56.1-....; Ex eb/Ex i-Junction Box 07-56.3-....; IP Junction Box 07-56.7-....; Ex eb-Junction Box 07-56.2-....; Ex i-Junction Box 07-56.4-....



**High-quality stainless steel junction boxes without flanges** Rail-mounted terminal components/maximum number

Article no.	External dimensions in mm (L x W x H)	Side	M12 x 1.5	M16 x 1.5	M20 x 1.5	M25 x 1.5	M32 x 1.5	M40 x 1.5	M50 x 1.5	M63 x 1.5
			Lid							
07-56 □□ -1711	100 x 100 x 60	A/B	3	2	1	1	-	-	-	-
		C/D	3	2	1	-	-	-	-	-
07-56 □□ -0111	150 x 150 x 80	A/B	14	5	4	2	1	-	-	-
		C/D	16	7	5	2	2	-	-	-
07-56 □□ -1011	400 x 150 x 80	A/B	45	24	18	7	6	-	-	-
		C/D	14	7	6	2	2	-	-	-
07-56 □□ -0311	200 x 200 x 80	A/B	20	10	6	3	2	-	-	-
		C/D	23	11	8	3	2	-	-	-
07-56 □□ -2211	300 x 200 x 80	A/B	31	17	12	6	4	-	-	-
		C/D	22	11	7	4	2	-	-	-
07-56 □□ -0211	150 x 150 x 100	A/B	18	11	7	3	2	1	1	1
		C/D	21	12	7	3	2	1	1	1
07-56 □□ -0411	200 x 200 x 120	A/B	37	20	15	7	4	2	2	2
		C/D	30	20	13	7	4	2	2	2
07-56 □□ -0611	300 x 200 x 120	A/B	59	32	21	11	7	4	3	3
		C/D	35	19	13	7	5	2	2	2
07-56 □□ -1111	400 x 200 x 120	A/B	64	34	28	15	9	6	5	4
		C/D	35	20	13	7	4	2	2	2
07-56 □□ -2511	600 x 200 x 120	A/B	82	78	47	23	15	9	7	6
		C/D	30	20	13	7	5	2	2	2
07-56 □□ -0711	300 x 300 x 120	A/B	60	35	22	11	7	4	3	3
		C/D	50	29	21	11	7	4	3	3
07-56 □□ -0811	300 x 300 x 160	A/B	75	46	30	16	10	7	5	4
		C/D	68	47	31	17	9	7	5	4
07-56 □□ -2611	380 x 380 x 160	A/B	96	60	40	21	11	9	6	5
		C/D	93	59	39	23	12	9	6	5
07-56 □□ -1211	400 x 200 x 160	A/B	97	61	40	23	13	9	7	5
		C/D	40	30	17	11	6	4	3	2
07-56 □□ -1411	400 x 400 x 160	A/B	105	61	41	21	13	9	7	5
		C/D	104	63	43	21	12	9	7	5
07-56 □□ -1511	500 x 400 x 160	A/B	126	79	64	28	16	12	9	7
		C/D	104	63	43	21	12	9	7	5
Hinged door										
07-56 □□ -5111	200 x 300 x 155	A/B	48	28	18	10	6	4	3	2
		C/D	74	46	32	17	9	7	4	3
07-56 □□ -5411	380 x 300 x 155	A/B	91	51	39	21	12	9	6	5
		C/D	74	46	32	17	9	7	4	3
07-56 □□ -5211	300 x 380 x 210	A/B	104	60	40	23	17	8	6	6
		C/D	107	69	50	23	15	9	8	7
07-56 □□ -5711	400 x 400 x 210	A/B	136	84	55	31	21	10	10	8
		C/D	115	72	51	23	18	10	9	7
07-56 □□ -5811	400 x 600 x 210	A/B	144	84	55	31	21	10	10	8
		C/D	183	116	65	35	29	15	14	12
07-56 □□ -5911	600 x 600 x 210	A/B	208	120	85	42	30	16	14	13
		C/D	194	120	70	35	29	15	14	11
07-56 □□ -6011	600 x 760 x 210	A/B	170	120	80	51	30	16	14	12
		C/D	228	148	100	47	37	19	17	16
07-56 □□ -6111	600 x 800 x 300	A/B	324	189	119	72	40	28	21	19
		C/D	411	252	147	78	51	32	27	26
07-56 □□ -6211	800 x 800 x 300	A/B	452	234	147	94	52	30	29	27
		C/D	403	231	159	83	51	32	29	26
07-56 □□ -6311	800 x 1000 x 300	A/B	452	234	147	94	52	30	29	27
		C/D	554	300	194	102	67	42	35	32

Each enclosure side wall has only a limited number of gland entries to ensure the mechanical stability of the enclosure. Technical data subject to change without notice.