

# SENTRY SINGLE LINE

## Single Line Conditioning Module

### SAMPLE CONDITIONING

Sentry® single line sample panels are pre-piped assemblies used to simplify the conditioning of steam, water or non-hazardous process samples. With the addition of cooling water, safe and representative samples can be obtained from individual sampling sites that are remotely located throughout the plant or from a small number of samples in a central location.

There are two versions of Sentry single line sample panels — one for grab samples only (SL100) and the other for both grab samples and to condition the sample for on-line analysis (SL200).

### MODELS

SL100L | SL100H | SL200L | SL200H

### BENEFITS

Sentry single line panels can be mounted in a variety of rack configurations to create custom sample systems. Both the freestanding and wall mountable racks come with full-width worktable sinks and pre-piped cooling water headers to reduce installation time and cost.

Whether an individual single line sample panel or an integrated rack, solutions are completely engineered to meet the application requirements.

### FEATURES

- Low pressure models (SL100L & SL200L) are appropriate for samples up to 500 psig at 450°F (34 barg at 232°C)
- High pressure models (SL100H & SL200H) handle samples up to 3030 psig at 1000°F (209 barg at 538°C)
- High pressure panels rated up to 5000 psig (345 barg) are available upon request
- Individual single line panels or multi-panel racks can be customized to meet your specific requirements
- Complete mechanical and electrical systems with full documentation are available
- Add an analyzer or other analysis product
- Create a complete sample system with analyzers and conditioning on the same rack
- Use the back side of a freestanding floor rack to mount analysis equipment
- Combine critical conditioning and analysis on a portable skid



SL200H

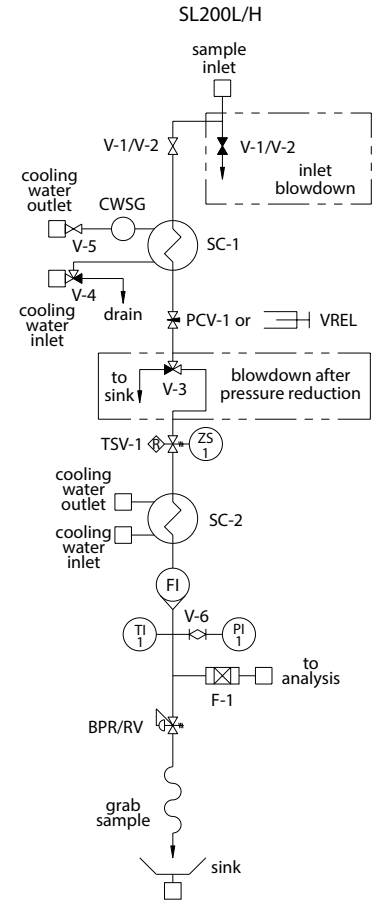
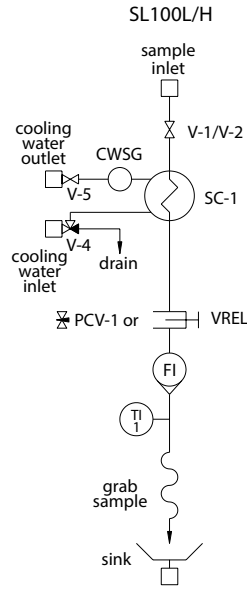


Freestanding Floor Rack



Sample. Monitor. Measure.  
**SENTRY**  
Any Application. Anywhere.

Components	SL100L/H		SL200L/H	
	Std	Opt	Std	Opt
TLR-4225 Sample Cooler (SC-1)	●		●	
Temperature Indicator (TI-1)	●		●	
Sink	●		●	
Cooling Water Valves	●		●	
Sample Isolation Valve (V-1/V-2)	●		●	
Pressure Reducing Valve (PCV-1 or VREL)	●		●	
Back Pressure Regulator (BPR/RV)			●	
Analyzer Connection			●	
Total Flow Indicator (FI)		●	●	
FLR-6225 Sample Cooler (SC-1)		●		●
Cooling Water Sight Glass (CWSG)		●	●	
Secondary Sample Cooler (SC-2)		●	●	
Shell Side Relief Valve		●	●	
Thermal Shut-Off Valve (TSV-1)		●	●	
Floor/Wall Mounted Rack		●	●	
High Pressure Blowdown Valve		●	●	
Low Pressure Blowdown Valve (V-3)			●	
Sample Side Relief Valve			●	
Sample Filter (F-1)			●	
Pressure Indicator (PI-1)			●	
Sample Sentry II			●	



[sentry-equip.com](http://sentry-equip.com)

966 Blue Ribbon Circle North, Oconomowoc, WI 53066 U.S.A. | +1-262-567-7256 | [sales@sentry-equip.com](mailto:sales@sentry-equip.com)

© 2017 Sentry Equipment Corp. All rights reserved. All product and company names are property of their respective owners. It is solely the responsibility of end users, through their own testing and analysis, to select products and materials suitable for their specific application requirements, ensure they are properly installed, safely applied and properly maintained, and to limit their use to their intended purpose. Improper selection, installation or use may result in personal injury or property damage.

S-SC-SPS-00509-0 4-17



COMPANY WITH  
QUALITY SYSTEM  
CERTIFIED BY DNV GL  
= ISO 9001 =