

Cyclonic Separators



capacity

up to 2000 m³/h

performance

**typically down to
70 microns for
settable solids**

size range

20 mm to 450 mm

min. operating pressure

1 bar

features:

- Low head loss
- High efficiency separation (Slot separation design)
- Bottom collection chamber with diaphragm plate (Allows auto purge)
- Straight continuous body length design (Allows better separation)
- Low wear design
- Available in carbon steel, hardened CS, rubber lined CS, stainless steel 304, 316L, titanium & others on request
- Available in ASME Section VIII Division 1 design with "U" Stamp
- Special coatings for corrosion resistance

General Specifications

Working Principle

Liquid enters the unit tangentially, which creates a centrifugal flow. A special top inlet construction accelerates the centrifugal flow. Centrifugal force moves particles to the sides of the separator chamber, where solids slowly drop along the sides to the lower collection chamber. Cleaned liquid is drawn up through the vortex and leaves the separator by the top outlet. Solids are either periodically or continuously purged from the collection chamber.

Automatic Purge System

220 V / 24V programmable electrical switchboard which controls purging intervals and duration via an electric actuated exhaust valve, to flush the collected debris from the collection chamber on a frequent basis. Pneumatic actuated valves are also an option.

Advantages

- Uninterrupted flow during purging.
- Minimal wasted water per purge cycle
- Low head loss
- Very easy to install
- No need for any by-pass which reduces the installation costs
- Virtually maintenance free



Technical Specifications

Filter Type	Inlet / Outlet	Capacity (m ³ /h)	Weight (kg)
TMN 20	¾"	1 - 4	8
TMN 25	1"	2 - 7	9
TMN 32	1 ¼"	7 - 10	14
TMN 40	1 ½"	10 - 16	15
TMN 50	2"	16 - 24	19
TMF 65	2 ½"	24 - 35	24
TMF 80	3"	35 - 65	33
TMF 100	4"	65 - 90	48
TMF 125	5"	90 - 110	60
TMF 150	6"	110 - 200	160
TMF 200	8"	200 - 380	295
TMF 250	10"	375 - 700	410
TMF 300	12"	560 - 900	640
TMF 350	14"	650 - 1200	650
TMF 400	16"	860 - 1600	660
TMF 450	18"	1100 - 2000	675

Minimum Working Pressure	1 bar (15 psi)
Maximum Working Pressure	10 bar (145 psi), 16 bar (232 psi) or higher upon request
Maximum Working Temperature	90 °C
Construction Material	Carbon Steel, Stainless Steel 304, 316 or Special Materials Upon Request



“SKID MOUNTED COMPLETE SYSTEM”

TMN	DIMENSIONS				
	A	B	C	INTEL/OUTLET	DRAIN
20	600	110	130	¾"	¾"
25	690	110	130	1"	1"
32	760	125	165	1 ¼"	1"
40	760	130	170	1 ½"	1"
50	860	135	175	2"	1"

TMF	DIMENSIONS				
	A	B	C	INTEL/OUTLET	DRAIN
65	880	155	195	DN 65	1"
80	1040	175	215	DN 80	1"
100	1120	200	260	DN 100	1"
125	1355	245	270	DN 125	1 ¼"
150	1760	285	345	DN 150	1 ¼"
200	2260	365	435	DN 200	1 ¼"
250	2930	510	545	DN 250	1 ½"
300	4020	585	610	DN 300	2"

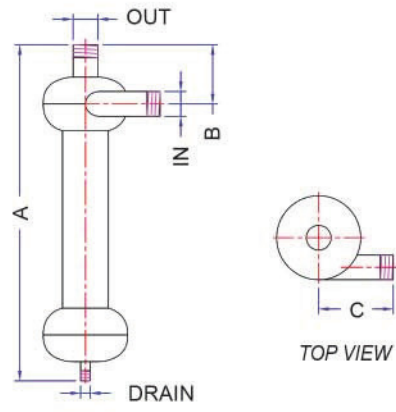
TMF LP	DIMENSIONS				
	A	B	C	INTEL/OUTLET	DRAIN
100	1160	300	1400	DN 100	1"
125	1290	350	1470	DN 125	1 ¼"
150	1640	380	1692	DN 150	1 ¼"
200	2215	490	1975	DN 200	1 ¼"
250	2695	585	2307	DN 250	1 ½"
300	3875	850	2910	DN 300	2"

TMF RD	DIMENSIONS				
	A	B	C	INTEL/OUTLET	DRAIN
65	1060	210	220	DN 65	1"
80	1245	230	275	DN 80	1"
100	1315	300	250	DN 100	1"
125	1465	300	300	DN 125	1 ¼"
150	1930	375	375	DN 150	1 ¼"
200	2405	410	450	DN 200	1 ¼"
250	3055	555	500	DN 250	1 ½"
300	4040	520	610	DN 300	2"

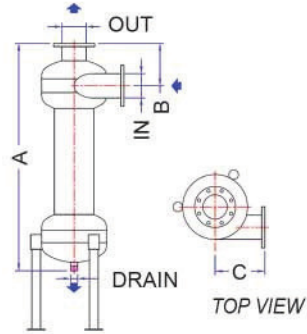
TMF LP/RD	DIMENSIONS				
	A	B	C	INTEL/OUTLET	DRAIN
100	1210	300	1470	DN 100	1"
125	1370	375	1511	DN 125	1 ¼"
150	1730	400	1816	DN 150	1 ¼"
200	2250	525	2090	DN 200	1 ¼"
250	2830	650	2405	DN 250	1 ½"
300	3850	750	2990	DN 300	2"

Dimensions

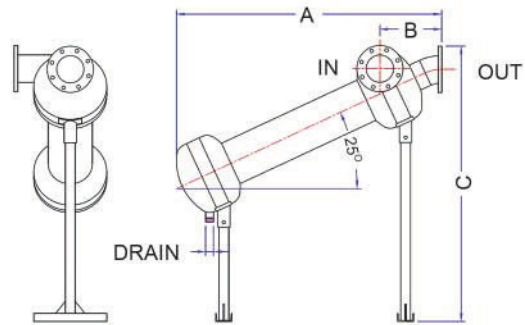
TMN SERIES



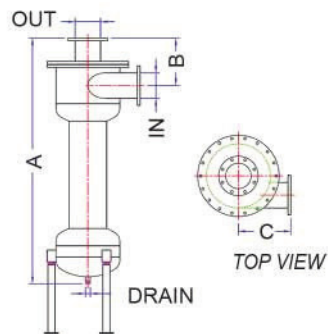
TMF SERIES



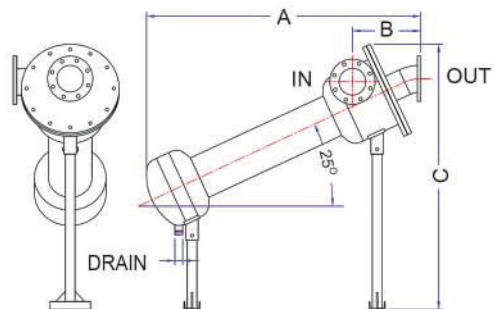
TMF LP SERIES



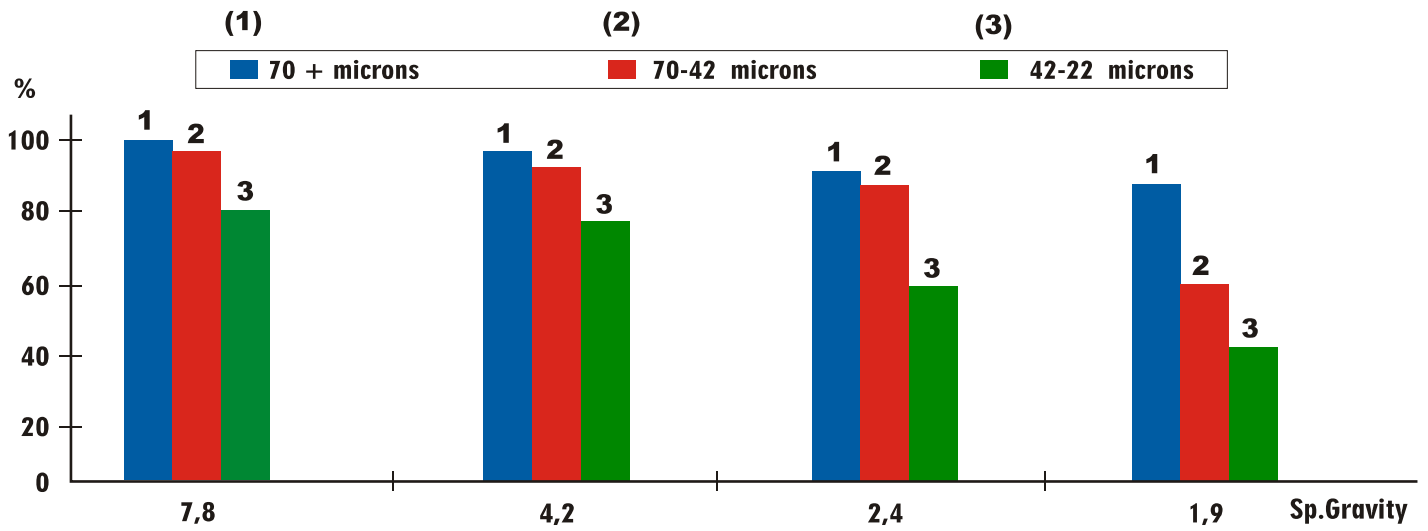
TMF RD SERIES



TMF LP/RD SERIES

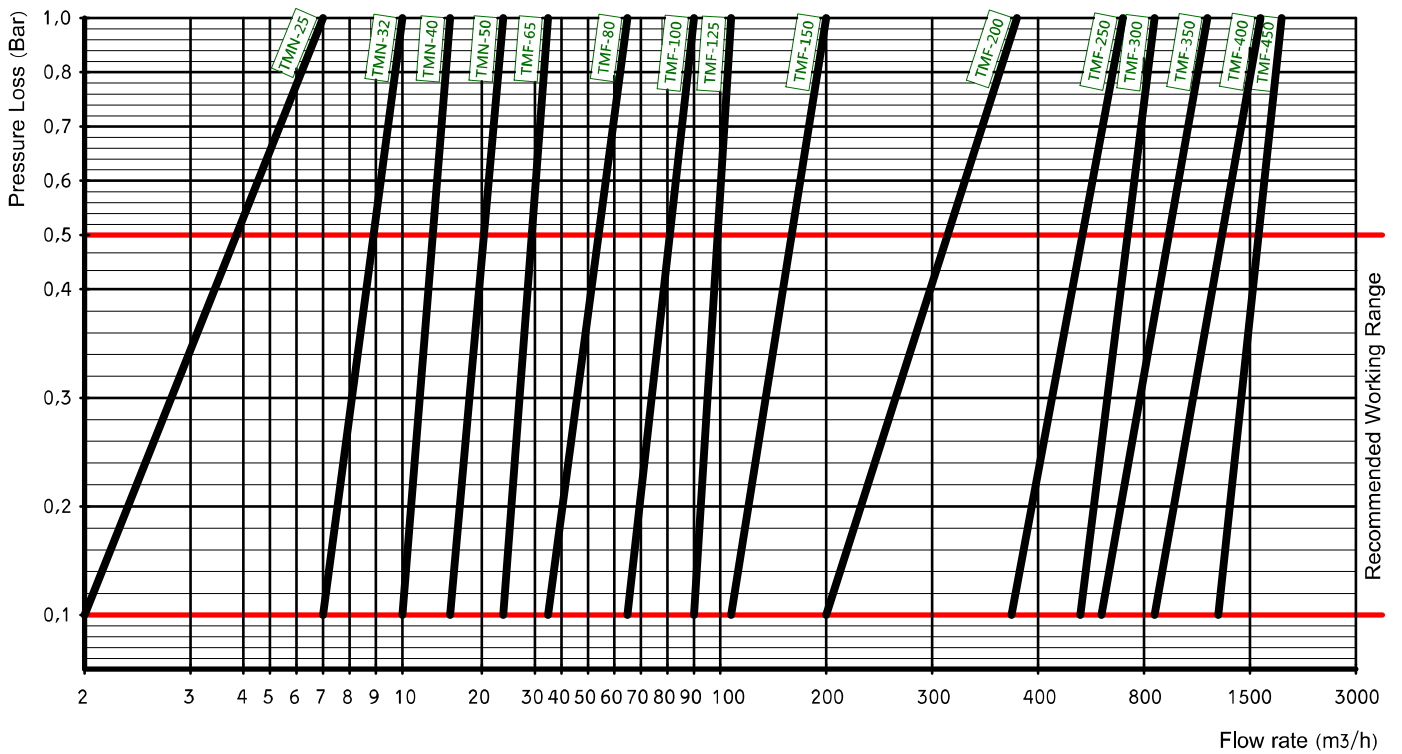


Performance Graphic



* Cyclonic separators separates particle of specific gravity >1,6 down to 70 microns

Capacity vs Pressure Drop Graphic





Municipal



Industry



Irrigation

Headquarters

Amiad Water Systems Ltd. D.N. Galil Elyon 1, 12335, Israel,
Tel: 972 4 690 9500, Fax: 972 4 690 9391,
E-mail: info@amiad.com

North America

Amiad Filtration Systems, 2220 Celsius Avenue, Oxnard,
California 93030, USA, Tel: 1 805 988 3323, Fax: 1 805 988 3313,
E-mail: info@amiadusa.com

South America

Amiad Oil & Gas, Benito Nardone 2219, Montevideo, Uruguay,
Tel: 598 2 7117617, Fax: 598 2 7120816,
E-mail: amisur@adinet.com.uy

Chile

Amiad Andina, Carretera General San Martín 16.500 No 30,
Loteo Industrial Los Libertadores, Colina, Santiago de Chile,
Tel: 56 2 489 5100, Fax: 56 2 489 5101,
E-mail: amiadandina@amiad.com

Brazil

E-mail: amiad@amiad.com.br

Europe

Amiad Water Systems Europe SAS, Ilot No4 ZI La Boitardière,
37530 Chargé, Tel: 33 (0) 2 47 23 01 10, Fax: 33 (0) 2 47 23 80 67,
E-mail: info@amiadfrance.com

Germany

Amiad Filtration Solutions (2004) Ltd. Zweigniederlassung
Deutschland Prinz-Regent-Str. 68 a 44795 Bochum,
Tel: 49 (0) 234 588082-0, Fax: 49 (0) 234 588082-12,
E-mail: info@amiad.de

Turkey

FTS – Filtration & Treatment Systems, Istanbul yolu 26 Km,
Yurt Orta Sanayii, Saray, Ankara, Tel: 90 312 8155266/7,
Fax: 90 312 8155248, E-mail: info@fts-filtration.com

India

Amiad Filtration India Pvt Limited, 305 Sai Commercial Building
Govandi St Rd, Govandi Mumbai 400 088, Tel: 91 22-67997813/14,
Fax: 91 22-67997814, Email: info@amiadindia.com

China

Yixing Taixing Environtec Co., Ltd. 70 Baihe Chang, Xingjie Yixing
Jiangsu, 214204, Tel: 86 510 87134000, Fax: 86 510 87134999,
E-mail: marketing@taixing.cc

South-East Asia

Filtration & Control Systems Pte. Ltd., 19B Teo Hong Road,
088330 Singapore, Tel: 65 6 337 6698, Fax: 65 6 337 8180,
E-mail: fcs1071@pacific.net.sg

Australia

Amiad Australia Pty Ltd. 138 Northcorp Boulevard,
Broadmeadows, Victoria 3047,
Tel: 61 3 93585800, Fax: 61 3 93585888,
E-mail: sales@amiad.com.au

www.amiad.com

NP.00894/10.2011

