

PRIMEROYAL® K dosing pump

Hydraulically actuated diaphragm liquid end • Flow rate up to 330 l/h • Pressure up to 500 bar



Main mechanical characteristics

- Reciprocating dosing pump with variable stroke length
- Stroke adjustment while running or stopped
- Multiplexing capability up to 2x6 heads
- Maximum stroke length: 40 mm
- Stroke speeds at 50 Hz - 1000 rpm: 39 and 120 spm
Stroke speeds at 50 Hz - 1500 rpm: 59, 100, 144 and 180 spm
- Design end load: 475 daN

Main liquid end configurations

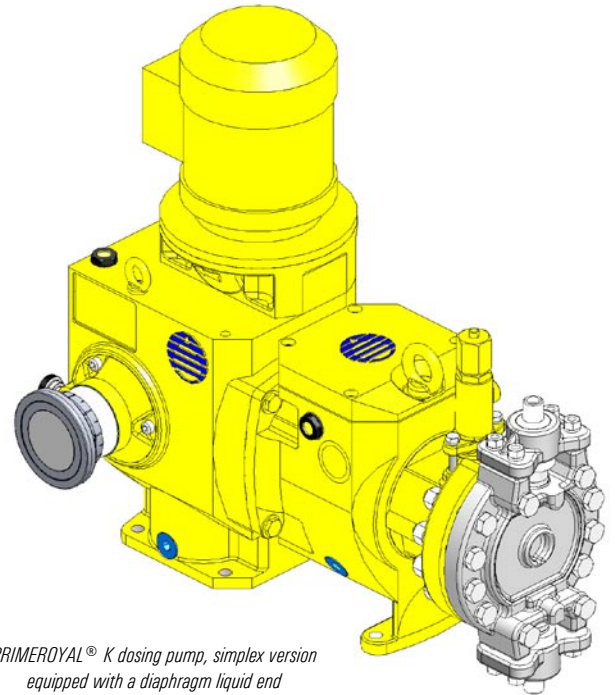
- Metallic diaphragm (single or double) ("M")
- 316L stainless steel ("H") with PTFE diaphragm ("HPD" patented design, life currently exceeding 20,000 hours)
- Special designs available (special materials, remote head, triple heating diaphragm...)

Main electrical characteristics

- Motor power supply: 400 V - 50 Hz - 3 phase as standard. Other voltages/frequencies on request
- Servo-motor: 1 phase
- Electric equipment for non hazardous or hazardous area, large variety of protection and insulation
- Conforming to the European standards, Nema motors available

Performance

- Conformity to API 675
- In accordance with ATEX CE EX II 2G/D c T3 or T4 on request



PRIMEROYAL® K dosing pump, simplex version
equipped with a diaphragm liquid end

Options

- Double diaphragm
- Diaphragm failure detection
- Cooling/heating jacket
- Food grade design
- Slurry configuration
- Spring loaded valves
- Double check valves

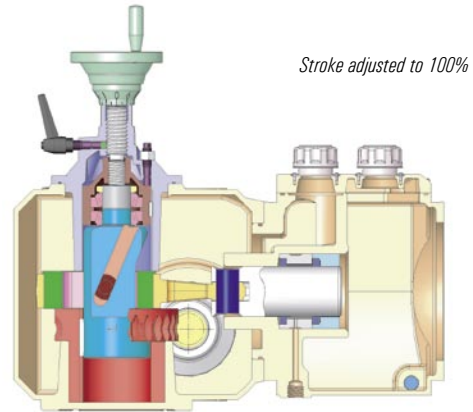
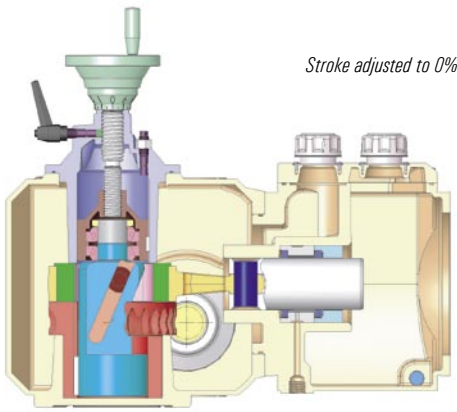
Single or double metallic diaphragm liquid end ("M")

Ø Plunger (mm)	Swept volume (cm³)	Ø Diaphragm (mm)	Stroke speed max. (spm) Motor speed 1500 rpm	Flow rate max. (l/h)			Pressure max. (bar)		Connections
				10 bar	P. max. single diaphragm	P. max. double diaphragm	single diaphragm	double diaphragm	
8	2.01	92	180	20	14.1	13.2	500	350	1/2" - VV1m
10	3.14	112	180	31	21	20	500	350	1/2" - VV1m
12	4.52	112	180	44	33	29	419	350	1/2" - VV1m
14	6.16	132	180	61	50	42	308	308	1/2" - VV1m
16	8.04	132	180	79	68	61	236	236	1/2" - VV1m
18	10.18	162	180	101	90	83	186	186	1/2" - VV1m
20	12.57	162	180	124	113	106	151	151	1/2" - VV1m
22	15.21	182	180	151	140	133	124	124	1" - VV1m
25	19.63	182	180	195	184	178	96	96	1" - VV1m

HPD diaphragm and metallic liquid end ("H")

Ø Plunger (mm)	Swept volume (cm³)	Ø Diaphragm (mm)	Stroke speed max. (spm) Motor speed 1500 rpm	Flow rate max. (l/h)		Pressure max. (bar)	Connections
				10 bar	P. max.		
20	12.57	106	180	128	102	151	1/2" - VV1m
25	19.63	106	180	201	176	96	1/2" - VV1m
32	32.17	106	180	330	307	59	1/2" - VV1m

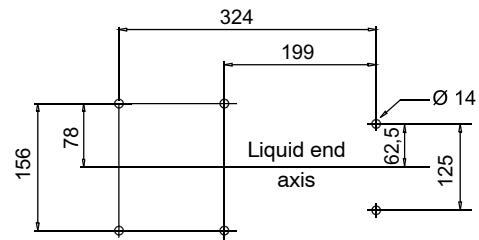
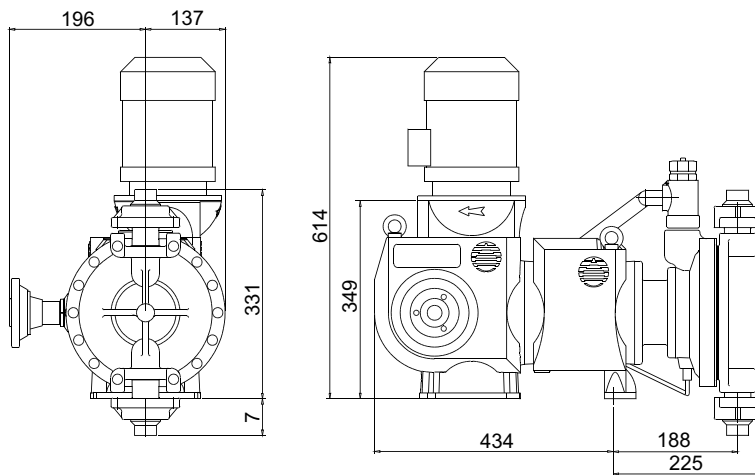
Principle



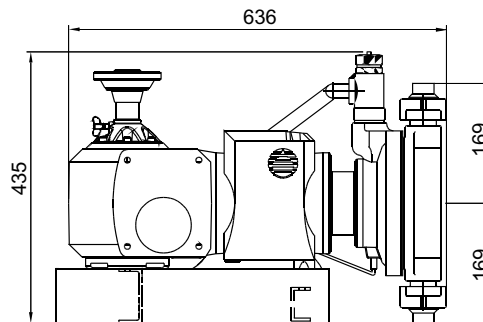
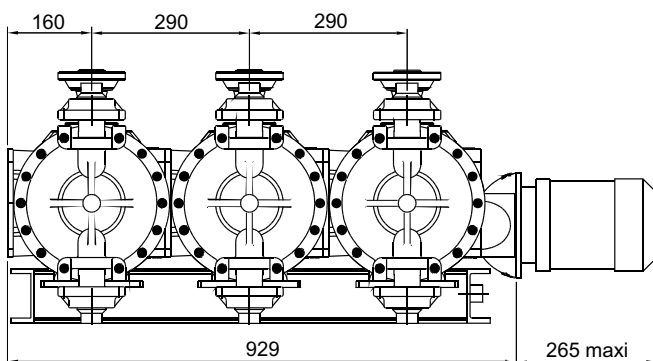
General dimensions (in mm)

The general dimensions are given as an indication only.

Diaphragm liquid end simplex configuration



Diaphragm liquid end triplex configuration



Weight and packing

Version	Net weight (*) kg	Gross weight (*) kg	Packing (mm) (L x W x H)
PRIMEROYAL® K simplex	110	168	900 x 600 x 1050

(*) Approximately



A network of over 100 distributors and sales and service offices.

To find your local representative, visit our website:

www.miltonroy-europe.com



P.O. Box 16 (Palokorvenkatu 2)

FI-04261 Kerava, Finland

Tel. +358 10 417 4500

Fax +358 10 417 4501

hyxo@hyxo.fi • www.hyxo.com