

# Instruction Sheet

## Flow-through accessories installation for NITRATAX sc

### Safety Information

Please read this entire document before unpacking, setting up or operating this equipment. Pay attention to all danger and caution statements. Failure to do so could result in serious injury to the operator or damage to the equipment.

Make sure that the protection provided by this equipment is not impaired, do not use or install this equipment in any manner other than that specified in this document.

#### Use of Hazard Information

##### **DANGER**

**Indicates a potentially or imminently hazardous situation which, if not avoided, will result in death or serious injury.**

##### **WARNING**

**Indicates a potentially or imminently hazardous situation which, if not avoided, could result in death or serious injury.**

##### **CAUTION**


**Indicates a potentially hazardous situation that may result in minor or moderate injury.**

**Important Note:** Indicates a situation which, if not avoided, may cause damage to the instrument. Information that requires special emphasis.

**Note:** Information that supplements points in the main text.

#### Precautionary Labels

Read all labels and tags attached to the instrument. Personal injury or damage to the instrument could occur if not observed. A symbol, if noted on the instrument, will be included with a danger or caution statement in the manual.

	<p>Electrical equipment marked with this symbol may not be disposed of in European public disposal systems after 12 August of 2005. In conformity with European local and national regulations (EU Directive 2002/96/EC), European electrical equipment users must now return old or end-of life equipment to the Producer for disposal at no charge to the user.</p> <p><b>Note:</b> For return for recycling, please contact the equipment producer or supplier for instructions on how to return end-of-life equipment, producer-supplied electrical accessories, and all auxiliary items for proper disposal.</p>
---	---

The sensor has additional accessories ([Figure 1](#) and [Figure 2](#)) and an optional flow-through assembly ([Figure 5](#)).

### Unpack the flow-through unit

Remove the flow-through unit from the shipping container and inspect the items for damage. Verify that all items listed are included. If any items are missing or damaged, contact the manufacturer or distributor.

- Flow-through unit
- Allen key with orientation screw
- Tubing set

## Flow-through installation

**CAUTION**

**Pinch hazard. Only qualified personnel should conduct the tasks described in this section of the manual.**

Refer to [Figure 1](#) for the installation of the flow-through unit for the NITRATAX plus sc and to [Figure 2](#) for the installation of the flow-through unit for the NITRATAX clear sc.

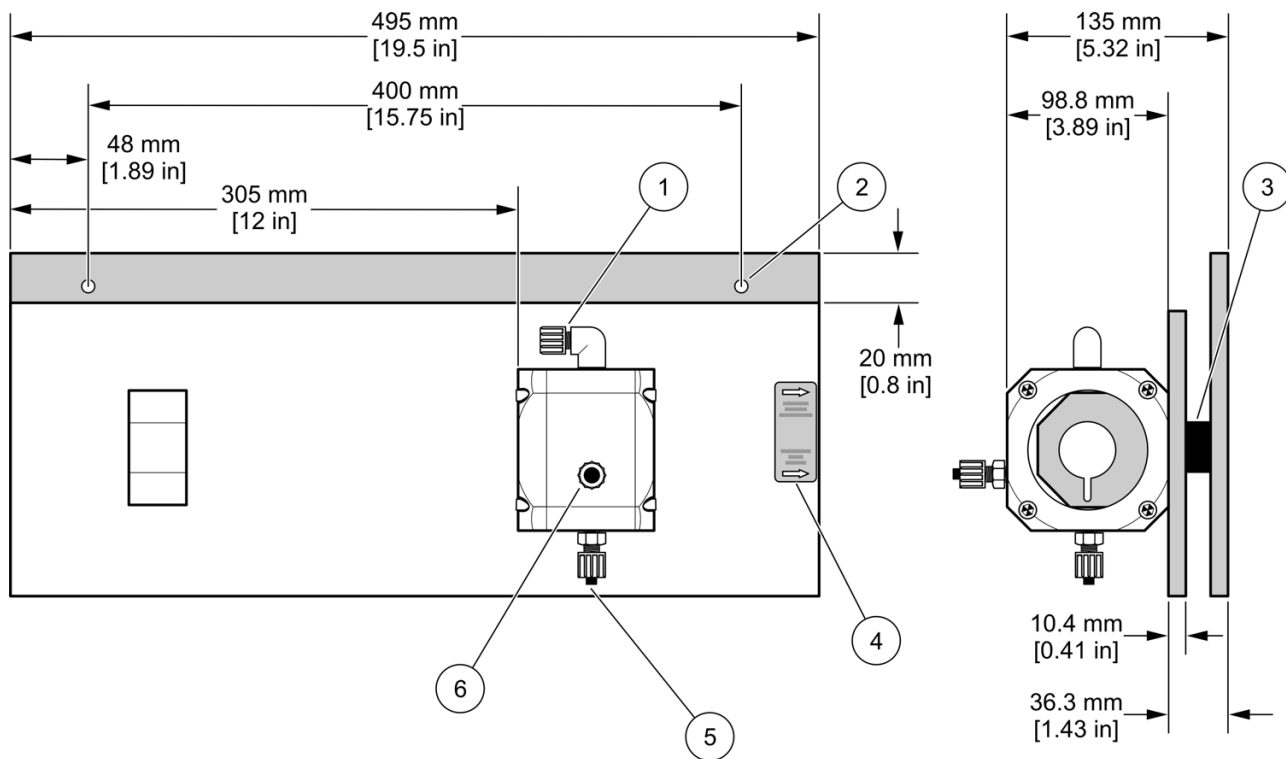


Figure 1 Installation of flow-through unit for NITRATAX plus sc

1	Sample drain	4	Label (pay close attention to clearance requirements)
2	Ø 8 mm thru, clearance hole	5	Flow cell drain
3	Spacer (2x) (wrap sensor cable)	6	Sample inlet

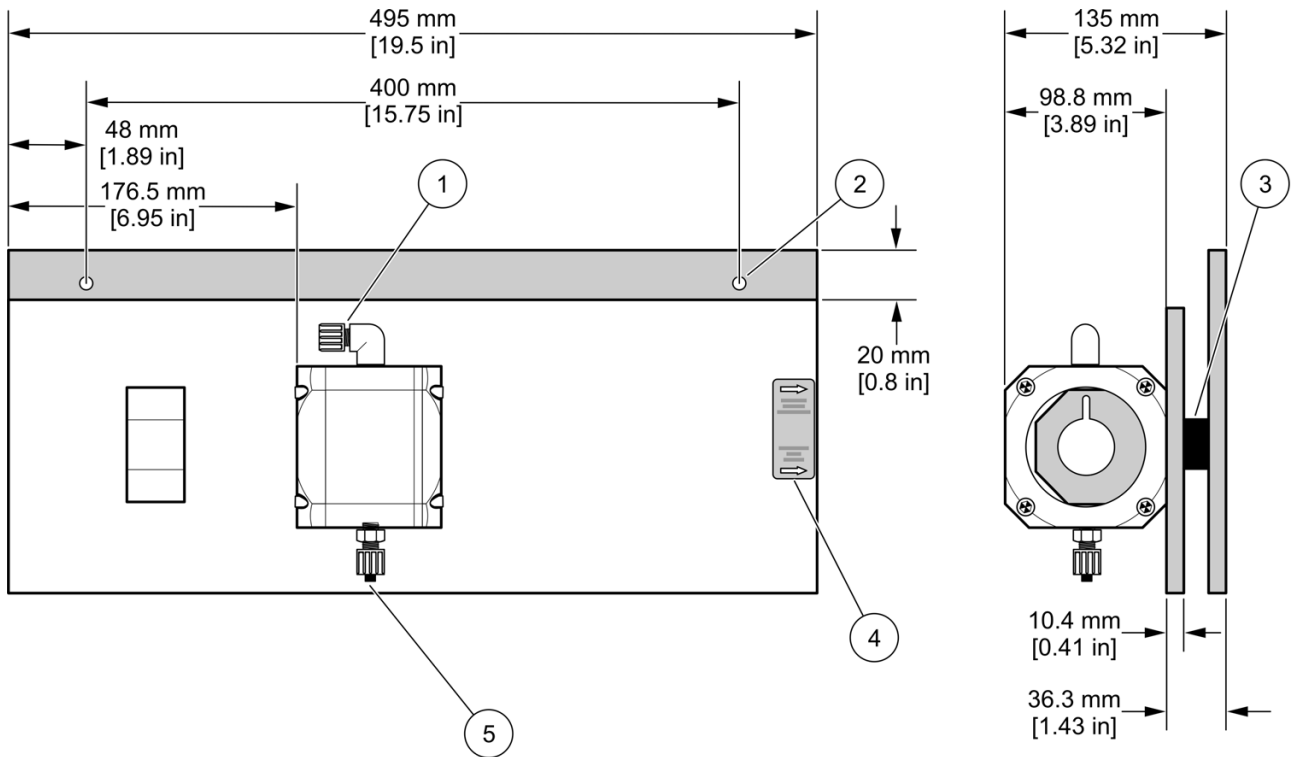


Figure 2 Installation of flow-through unit for NITRATAX clear sc

1	Sample drain	4	Label (pay close attention to clearance requirements)
2	Ø 8 mm thru, clearance hole	5	Sample inlet
3	Spacer (2x) (wrap sensor cable)		

## Sensor installation in the flow-through unit

### CAUTION

**Pinch hazard. Only qualified personnel should conduct the tasks described in this section of the manual.**

Refer to [Figure 5](#) for the installation of the sensor in the flow-through unit.

1. Install the orientation screw to the sensor ([Figure 3](#), item 3 or [Figure 4](#), item 3) to make sure the measurement path in the measuring chamber is adjusted correctly.

**Note:** Replace the installed standard 50 mm sensor wiper with the supplied wiper with bore wholes.

2. Insert the sensor ([Figure 5](#), [Figure 6](#)) into the flow-through unit. Turn the sensor so that the orientation screw slides into the cavity of the panel. Tighten the setscrew ([Figure 3](#), item 1 or [Figure 4](#), item 1) to the sensor.
3. Connect the inflow and the outflow tubes ([Figure 5](#), [Figure 6](#)). Insert the inflow tube approximately 50 mm into the screw connection of the 2 and 5 mm sensors.
4. Use the allen key to seal the sensor to the measurement chamber.

**Note:** Remove the inflow tube before disassembling the 2 or 5 mm sensors.

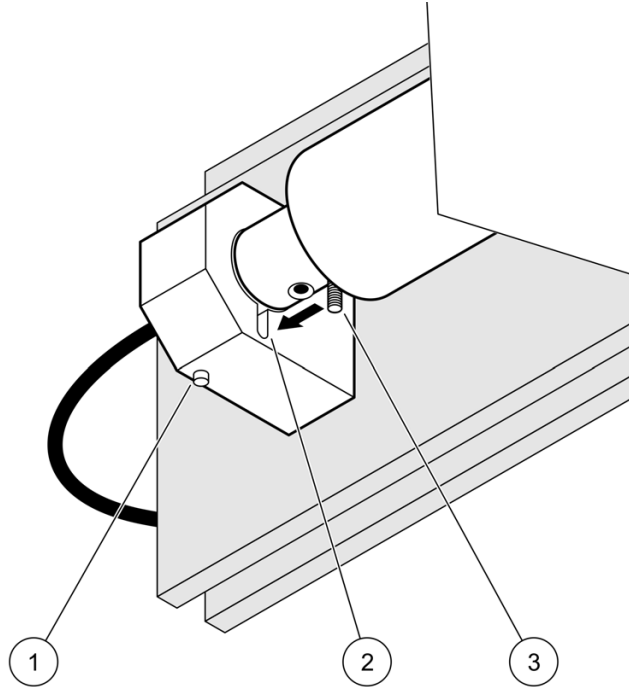


Figure 3 Installation of the sensor plus sc with orientation screw

1 Setscrew	3 Alignment screw
2 Cavity	

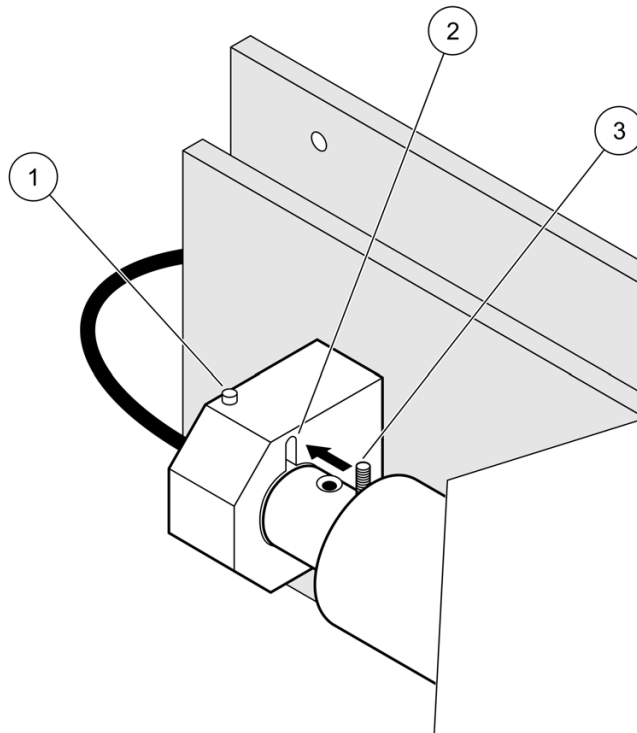


Figure 4 Installation of the sensor clear sc with orientation screw

1 Setscrew	3 Alignment screw
2 Cavity	

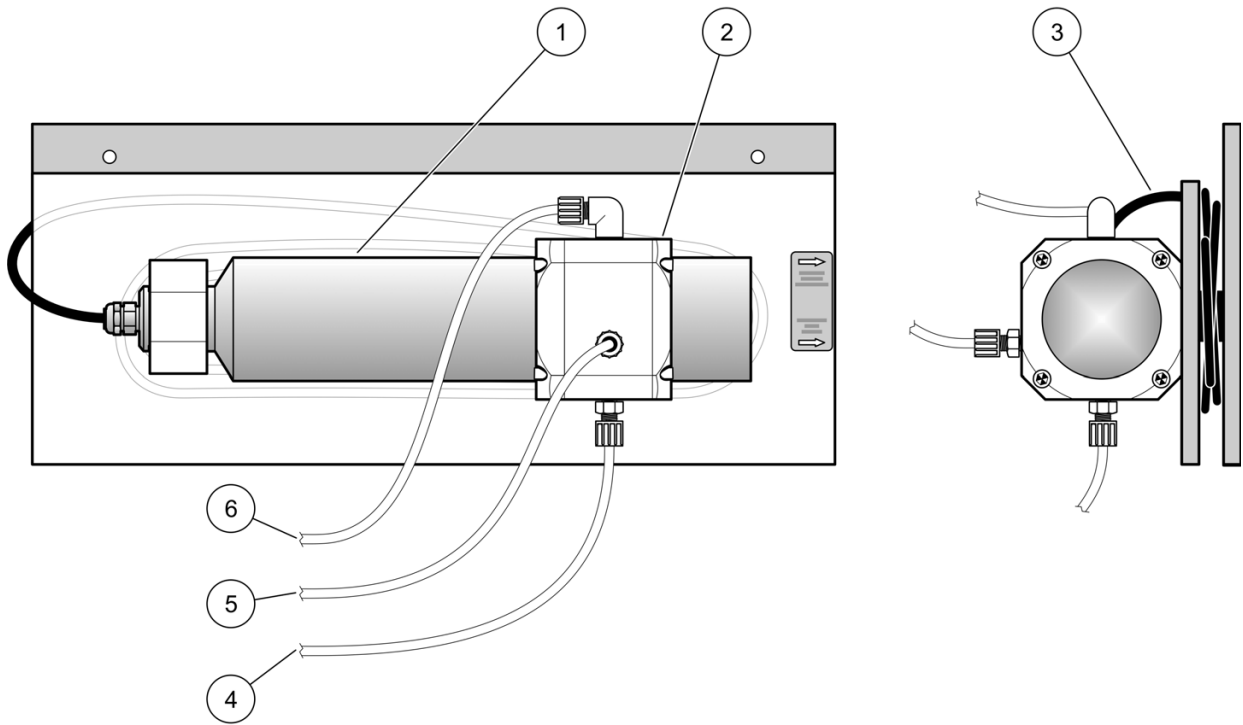


Figure 5 Sensor plus sc/flow-through assembly (optional)

1	sc sensor (parts will vary depending on sensor style)	4	Flow cell drain
2	Flow cell (parts will vary depending on sensor style)	5	Sample inlet
3	Sensor cable (extra cable stored inside panel as shown)	6	Sample drain

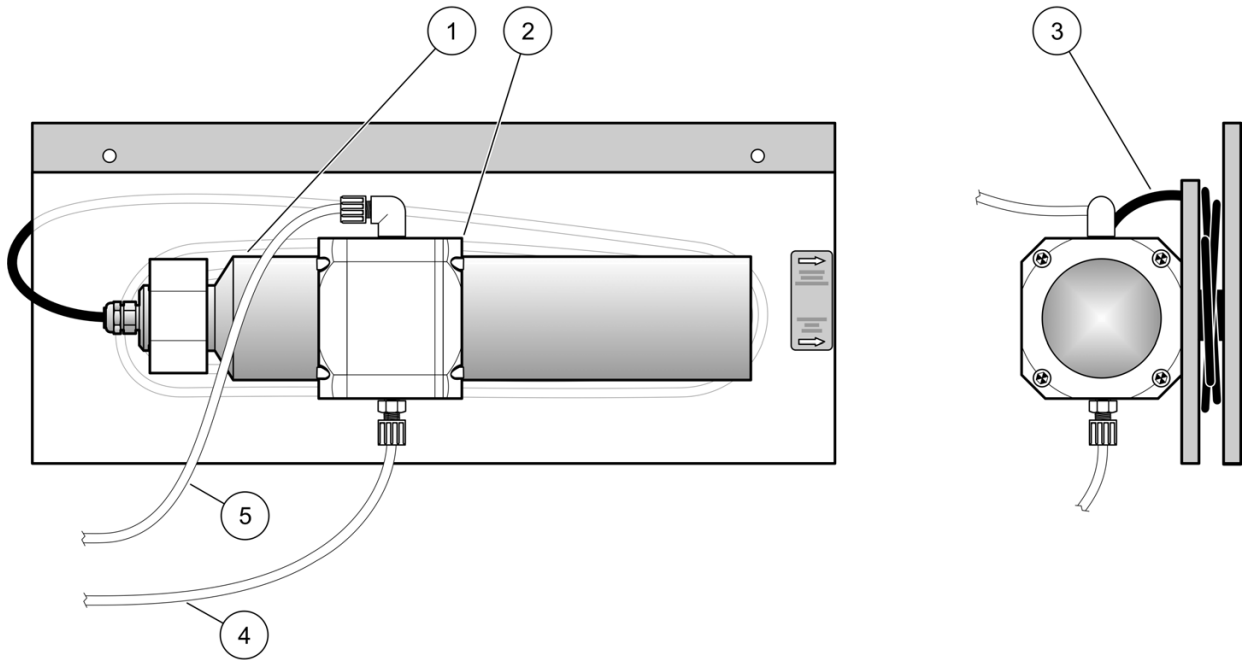


Figure 6 Sensor clear sc/flow-through assembly (optional)

1	sc sensor	4	Sample inlet
2	Flow cell	5	Sample drain
3	Sensor cable (extra cable stored inside panel as shown)		

### Seal change (flow-through version)

Remove the sensor before changing the seals in the flow-through panel.

### NITRATAX plus sc

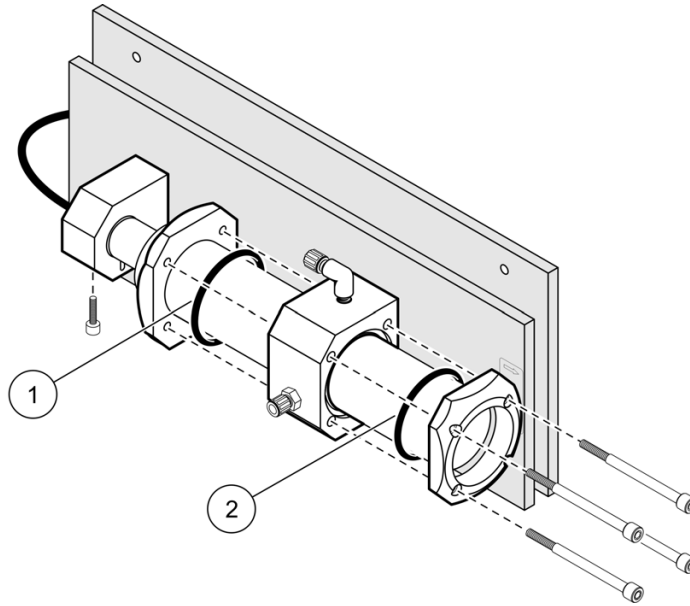


Figure 7 Seal change of NITRATAX plus sc

1 O-ring	2 O-ring
----------	----------

### NITRATAX clear sc

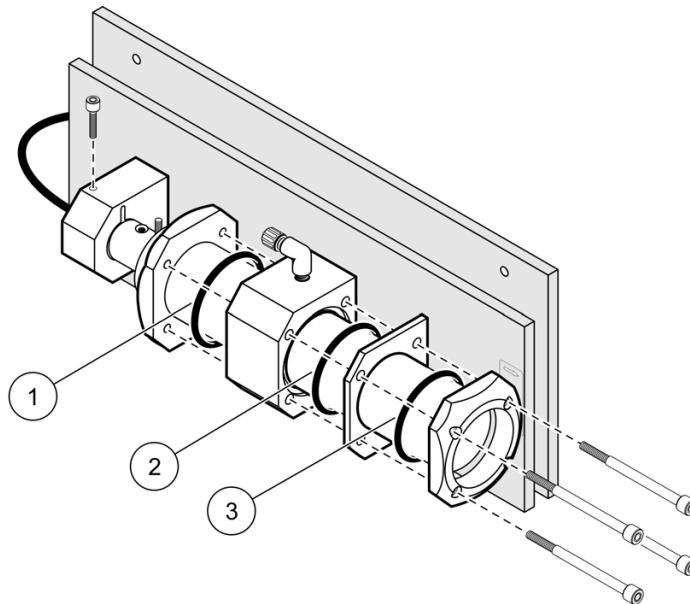


Figure 8 Seal change of NITRATAX clear sc

1 O-ring 73 x 5 mm (2.87 x 0.2 in.)	3 O-ring 72 x 5 mm (2.83 x 0.2 in.)
2 O-ring 85 x 4 mm (3.35 x 0.16 in.)	

# Contact Information

---

## **HACH Company World Headquarters**

P.O. Box 389  
Loveland, Colorado  
80539-0389 U.S.A.  
Tel (800) 227-HACH  
(800) -227-4224  
(U.S.A. only)  
Fax (970) 669-2932  
orders@hach.com  
www.hach.com

## **Repair Service in the United States:**

HACH Company  
Ames Service  
100 Dayton Avenue  
Ames, Iowa 50010  
Tel (800) 227-4224  
(U.S.A. only)  
Fax (515) 232-3835

## **Repair Service in Canada:**

Hach Sales & Service  
Canada Ltd.  
1313 Border Street, Unit 34  
Winnipeg, Manitoba  
R3H 0X4  
Tel (800) 665-7635  
(Canada only)  
Tel (204) 632-5598  
Fax (204) 694-5134  
canada@hach.com

## **Repair Service in Latin America, the Caribbean, the Far East, Indian Subcontinent, Africa, Europe, or the Middle East:**

Hach Company World  
Headquarters,  
P.O. Box 389  
Loveland, Colorado,  
80539-0389 U.S.A.  
Tel +001 (970) 669-3050  
Fax +001 (970) 669-2932  
intl@hach.com

## **HACH LANGE GMBH**

Willstätterstraße 11  
D-40549 Düsseldorf  
Tel. +49 (0)2 11 52 88-320  
Fax +49 (0)2 11 52 88-210  
info@hach-lange.de  
www.hach-lange.de

## **HACH LANGE LTD**

Pacific Way  
Salford  
GB-Manchester, M50 1DL  
Tel. +44 (0)161 872 14 87  
Fax +44 (0)161 848 73 24  
info@hach-lange.co.uk  
www.hach-lange.co.uk

## **HACH LANGE LTD**

Unit 1, Chestnut Road  
Western Industrial Estate  
IRL-Dublin 12  
Tel. +353(0)1 46 02 5 22  
Fax +353(0)1 4 50 93 37  
info@hach-lange.ie  
www.hach-lange.ie

## **DR. BRUNO LANGE GES. MBH**

Industriestraße 12  
A-3200 Obergrafendorf  
Tel. +43 (0)27 47 74 12  
Fax +43 (0)27 47 42 18  
info@hach-lange.at  
www.hach-lange.at

## **DR. BRUNO LANGE AG**

Juchstrasse 1  
CH-8604 Hegnau  
Tel. +41(0)44 9 45 66 10  
Fax +41(0)44 9 45 66 76  
info@hach-lange.ch  
www.hach-lange.ch

## **HACH LANGE FRANCE S.A.S.**

33, Rue du Ballon  
F-93165 Noisy Le Grand  
Tél. +33 (0)1 48 15 68 70  
Fax +33 (0)1 48 15 80 00  
info@hach-lange.fr  
www.hach-lange.fr

## **HACH LANGE SA**

Motstraat 54  
B-2800 Mechelen  
Tél. +32 (0)15 42 35 00  
Fax +32 (0)15 41 61 20  
info@hach-lange.be  
www.hach-lange.be

## **DR. LANGE NEDERLAND B.V.**

Laan van Westroijen 2a  
NL-4003 AZ Tiel  
Tel. +31(0)344 63 11 30  
Fax +31(0)344 63 11 50  
info@hach-lange.nl  
www.hach-lange.nl

## **HACH LANGE APS**

Åkandevej 21  
DK-2700 Brønshøj  
Tel. +45 36 77 29 11  
Fax +45 36 77 49 11  
info@hach-lange.dk  
www.hach-lange.dk

## **HACH LANGE AB**

Vinhundsvägen 159A  
SE-128 62 Sköndal  
Tel. +46 (0)8 7 98 05 00  
Fax +46 (0)8 7 98 05 30  
info@hach-lange.se  
www.hach-lange.se

## **HACH LANGE S.R.L.**

Via Riccione, 14  
I-20156 Milano  
Tel. +39 02 39 23 14-1  
Fax +39 02 39 23 14-39  
info@hach-lange.it  
www.hach-lange.it

## **HACH LANGE S.L.U.**

Edif. Arteaga Centrum  
C/Larrauri, 1C- 2ª Pl.  
E-48160 Derio/Vizcaya  
Tel. +34 94 657 33 88  
Fax +34 94 657 33 97  
info@hach-lange.es  
www.hach-lange.es

## **HACH LANGE LDA**

Av. do Forte nº8  
Fracção M  
P-2790-072 Carnaxide  
Tel. +351 214 253 420  
Fax +351 214 253 429  
info@hach-lange.pt  
www.hach-lange.pt

## **HACH LANGE SP.ZO.O.**

ul. Opolska 143 a  
PL-52-013 Wrocław  
Tel. +48 (0)71 342 10-83  
Fax +48 (0)71 342 10-79  
info@hach-lange.pl  
www.hach-lange.pl

## **HACH LANGE S.R.O.**

Lešanská 2a/1176  
CZ-141 00 Praha 4  
Tel. +420 272 12 45 45  
Fax +420 272 12 45 46  
info@hach-lange.cz  
www.hach-lange.cz

## **HACH LANGE S.R.O.**

Roľnícka 21  
SK-831 07 Bratislava –  
Vajnory  
Tel. +421 (0)2 4820 9091  
Fax +421 (0)2 4820 9093  
info@hach-lange.sk  
www.hach-lange.sk

## **HACH LANGE KFT.**

Hegyalja út 7-13.  
H-1016 Budapest  
Tel. +36 (06)1 225 7783  
Fax +36 (06)1 225 7784  
info@hach-lange.hu  
www.hach-lange.hu

## **HACH LANGE S.R.L.**

Str. Leonida, nr. 13  
Sector 2  
RO-020555 Bucuresti  
Tel. +40 (0) 21 201 92 43  
Fax +40 (0) 21 201 92 43  
info@hach-lange.ro  
www.hach-lange.ro

## **HACH LANGE**

8, Kr. Sarafov str.  
BG-1164 Sofia  
Tel. +359 (0)2 963 44 54  
Fax +359 (0)2 866 04 47  
info@hach-lange.bg  
www.hach-lange.bg

## **HACH LANGE SU ANALİZ SİSTEMLERİ LTD.ŞTİ.**

Hilal Mah. 75. Sokak  
Arman Plaza No: 9/A  
TR-06550 Çankaya/ANKARA  
Tel. +90 (0)312 440 98 98  
Fax +90 (0)312 442 11 01  
bilgi@hach-lange.com.tr  
www.hach-lange.com.tr

## **HACH LANGE D.O.O.**

Fajfarjeva 15  
SI-1230 Domžale  
Tel. +386 (0)59 051 000  
Fax +386 (0)59 051 010  
info@hach-lange.si  
www.hach-lange.si

## **HACH LANGE E.Π.E.**

Αυλίδος 27  
GR-115 27 Αθήνα  
Τηλ. +30 210 7777038  
Fax +30 210 7777976  
info@hach-lange.gr  
www.hach-lange.gr

## **HACH LANGE E.P.E.**

27, Avlidos str  
GR-115 27 Athens  
Tel. +30 210 7777038  
Fax +30 210 7777976  
info@hach-lange.gr  
www.hach-lange.gr