

NISE sc PROBE WITH RFID TECHNOLOGY

Applications

- Wastewater



Single ISE probe for the on-line measurement of nitrate provides trending information with minimal maintenance at an affordable price.

Cost-Effective Trending Information

The NISE sc Sensor utilizes ion selective electrode (ISE) technology to provide your plant with high level trending information while saving money by eliminating the need for reagents and sample preparation.

Minimal Maintenance with Simple Cartridge Replacement

The sensor works with a CARTRICAL™ cartridge that comes factory calibrated, so little maintenance is necessary. Cartridge replacement is simple: unscrew the old cartridge, plug in the new one, and the sensor is ready for measurement. Using RFID* technology, the factory calibration is automatically identified after replacing the cartridge.

Simple, Accurate Calibration

Easy to perform, fail-safe calibration corrections compensate for naturally occurring calibration drift in ISE instruments. An advanced menu structure allows you to perform corrections without manual entry of values via Ethernet, SD card or Bluetooth®.

**RFID version available only in US, EU, Canada, Australia, New Zealand, Croatia, Cyprus and Turkey.*

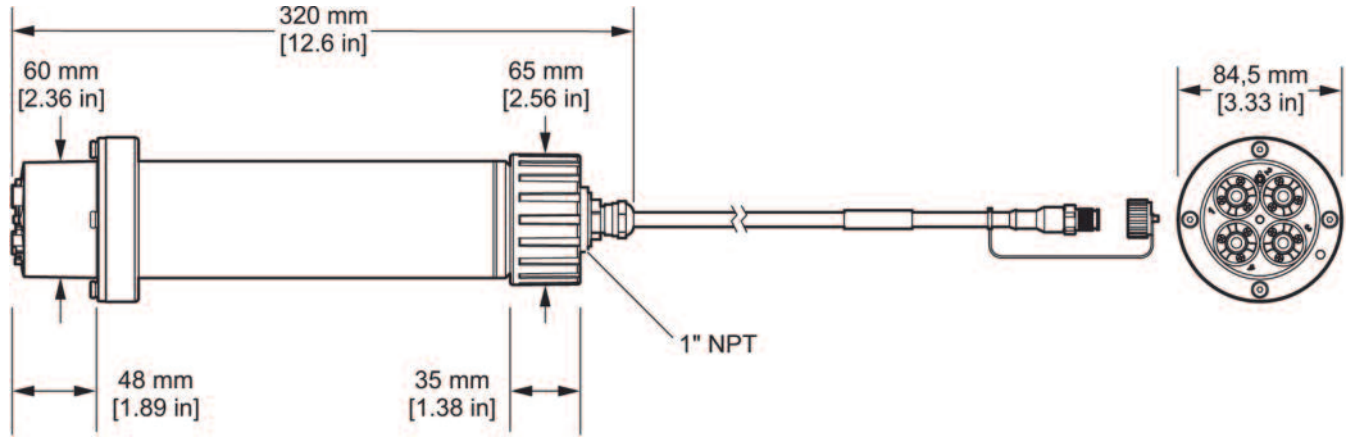
Specifications*

Measurement Method	Potentiometric ion-selective measurement
Range	0 - 1000 mg/L NO ₃ -N
pH Range	5 - 9 pH
Accuracy	5 % of measured value +0.2 mg/L (with standard solutions) NO ₃ -N
Response Time	< 3 min
Calibration Method	With CARTRICAL plus technology: automatic import of factory calibration data from cartridge to probe by RFID; 1 and 2 point matrix correction
Sample Temperature	2 to 40 °C (35 to 104 °F)
Operating Temperature Range	-20 to 45 °C (-4 to 113 °F)
Sensor Cartridge	With CARTRICAL plus technology: compact housing containing calibrated electrodes for nitrate and chloride, reference system and temperature sensor, all calibrated to each other; typical lifetime 6 months
Flow	4 m/s max.
Material	Cartridge: Stainless steel (1.4571), PVC, POM, ABS, NBR
Measuring Interval	Continuous

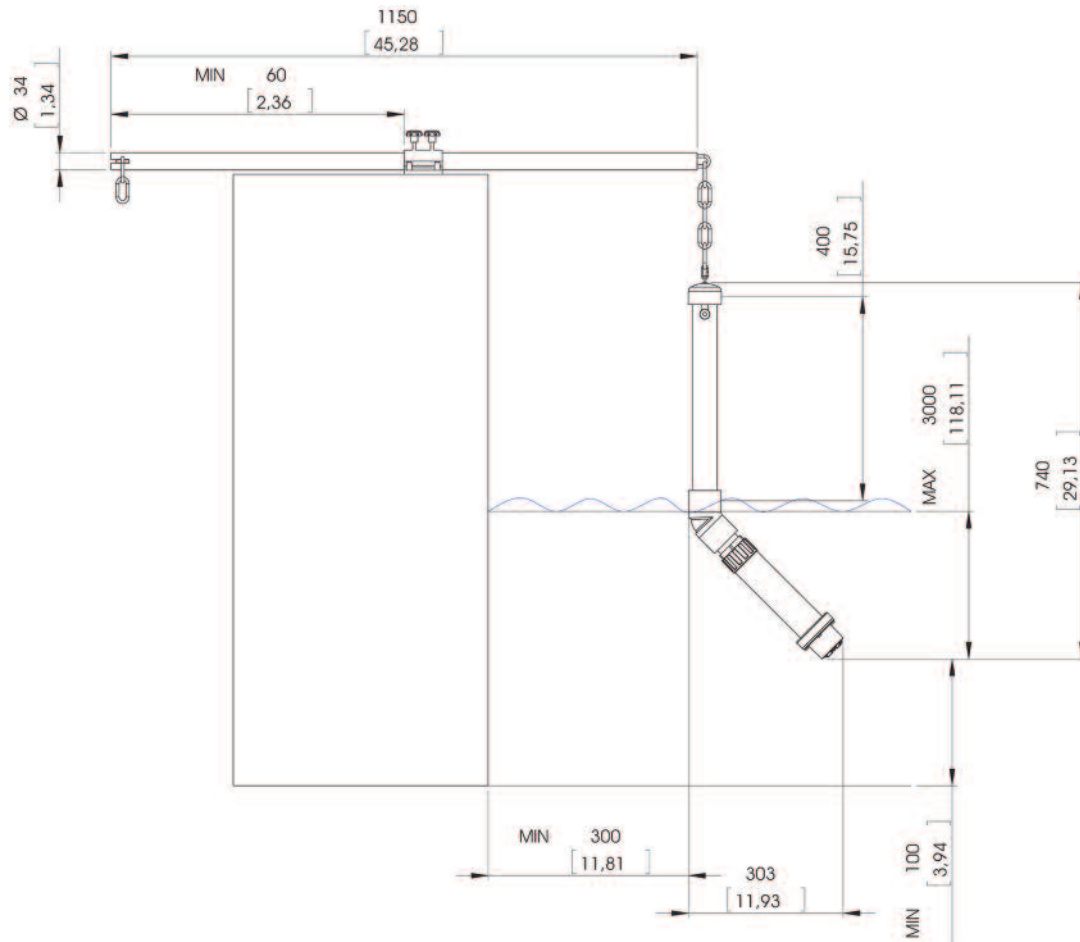
Lower Limit of Detection (LOD)	0.2 mg/L NO ₃ -N
Dimensions (D x L)	3.33 in x 12.6 in (84.5 mm x 320 mm)
Sensor Immersion Depth	1.0 to 10 ft
Installation Angle	45 ° ±15 ° (vertical in flow direction)
Cable Length	Standard: 10 m / 32.8 ft extension cables available as an option in the following lengths: 5, 10, 15, 20, 30, 50 m (16.4, 32.8, 49.2, 65.6, 98.4, 164 ft); 100 m (328 ft) max. overall length
Controller Compatibility	sc200, sc1000
Process Connection	inch thread
Protection Class	IP 68
Sample Pressure	0.3 bar
Storage Conditions	5 to 40 °C (41 to 104 °F) sensor cartridge
Weight	5.247 lbs. (2380 g)

*Subject to change without notice.

Dimensions



Installation / Mounting



Ordering Information

LXV440.99.20002	NISE sc ISE Nitrate Probe with RFID* Technology
LXV440.99.20012	NISE sc ISE Nitrate Probe

Mounting Hardware

6184900	Rail Mount Kit (PVC) for ISE sensors
LZX914.99.12400	Chain mounting for ISE sensors (PVC)
LZX414.99.80000	Wall mount kit (stainless steel) for ISE sensors

Cartridge

LZY694	CARTRICAL sensor cartridge for AN-ISE sc/AISE sc/NISE sc
---------------	--

Air Cleaning Systems (Optional)

LZY706	Cleaning unit for AN-ISE sc/AISE sc/NISE sc
6860000	High Output Air Blast Cleaning System, 115 Vac
6860100	High Output Air Blast Cleaning System, 230 Vac

Controller

LXV404.99.00552	sc200 controllers, 2 channels, digital
LXV400.99.10082	sc1000 Probe Module, 6 Sensors, 100-240 Vac
LXV402.99.00002	sc1000 Display Module

*RFID = Radio- Frequency Identification.

RFID version available only in US, EU, Canada, Australia, New Zealand, Croatia, Cyprus and Turkey.

HACH COMPANY World Headquarters: Loveland, Colorado USA

United States:	800-227-4224 tel	970-669-2932 fax	orders@hach.com
Outside United States:	970-669-3050 tel	970-461-3939 fax	int@hach.com
hach.com			

LIT2808

C13 Printed in U.S.A.

©Hach Company, 2013. All rights reserved.

In the interest of improving and updating its equipment,

Hach Company reserves the right to alter specifications to equipment at any time.



Be Right™