

NA5600sc Online Sodium Analyser

Applications

- Industrial water
- Power



Ensure uptime with accurate, low-level sodium measurements and predictive diagnostics.

Be confident in your steam cycle water with proprietary predictive diagnostic tools, automatic electrode reactivation to avoid downtime, less maintenance with 90-day reagent replacement, and a convenient small footprint for easy integration with the new Hach[®] NA5600sc Sodium Analyser.

Optimise Operation and Response Time with Automatic Electrode Reactivation

To maintain optimum response time and accuracy, the NA5600sc analyser provides automatic electrode reactivation. Reactivation uses non-hazardous chemicals and eliminates the need for manual reactivation or electrode etching.

Space-Saving Design

Smaller instrument footprint with streamlined layout to allow for easy integration into existing or new sites.

Low Maintenance

Maintenance of the NA5600sc Sodium Analyser requires reagent replenishment only every 90 days and annual replacement of reagent tubing and the sodium electrode. Clear step-by-step instructions are provided to simplify maintenance operations.

Avoid Downtime

Predictive diagnostic tools, including Hach's proprietary Prognosys technology, warning LEDs, and high visibility notification screens let you avoid unplanned downtime.

Technical Data*

Measuring range	Analysers without cationic pump: 0.01 ppb - 10,000 ppb Analysers with cationic pump: 0.01 ppb - 200 ppm	Protection rating	Analyser with enclosure: NEMA 4/IP65 Analyser without enclosure: IP65, PCBA housing
Repeatability	< 0.02 ppb or 1.5% reading (whichever is greater) within ± 10 °C variation	Display	Coloured 5.7" LCD
Detection limit	0.01 ppb	Analogue outputs	6 isolated, 0 - 20 mA or 4 - 20 mA; load impedance: 600 Ohm maximum Connection: 0.644 - 1.29 mm ² (24 - 16 AWG) wire; 0.644 - 0.812 mm ² (24 - 20 AWG) recommended, twisted pair shielded wire
Response time	From 0.1 ppb to 10 ppb: T90 ≤ 3 minutes, T95 ≤ 4 minutes From < 1 ppb to 100 ppb: T90 < 2 minutes, T95 < 3 minutes (about 150 s)	Relay output	6; type: not powered SPDT relays, each rated at 5 A resistive, 240 VAC maximum Connection: 1.0 - 1.29 mm ² (18 - 16 AWG) wire; 1.0 mm ² (18 AWG) stranded recommended, 5 - 8 mm O.D. cable
Calibration method	Automatic with known addition Manual: 1 or 2 points	Digital inputs	6; non programmable, isolated TTL type digital input or as a relay Open - collector type input 0.644 - 1.29 mm ² (24 - 16 AWG) wire; 0.644 - 0.812 mm ² (24 - 20 AWG) stranded recommended
Sample conditioner	For non-cationic applications: Di-isopropylamine (DIPA) (1 L/90 days) at 25 °C for a sample pH target of 10.5 For cationic applications: DIPA (1 L/month) at 25 °C for a sample pH target of 10.5	Material	Polyol case, PC door, PC hinges and latches, 304/316 SST hardware
Number of channels	1, 2 or 4 with programmable sequence	Dimensions	Analyser with enclosure: 681 mm x 452 mm x 335 mm (H x W x D) Analyser without enclosure: 681 mm x 452 mm x 254 mm (H x W x D)
Max. concentration of suspended solids in sample	< 2 NTU, no oil, no grease For boiler sample type install approx. 100 µm filter	Weight	Analyser with enclosure: 20 kg with empty bottles Analyser without enclosure: 14 kg with empty bottles
Acidity	< 50 ppm, non-cationic application < 250 ppm, cationic application	Maintenance interval	Every 90 days: refill electrolyte, reactivation, conditioning, and calibration solution
Sample temperature	5 - 45 °C		
Ambient temperature	5 - 50 °C		
Sample pressure	0.2 - 6 bar		
Flow rate	100 - 150 mL/min (6 - 9 L/h)		
Inlet	Sample line and sample bypass drain: 6 mm O.D. push-to-connect fitting for plastic tubing Chemical and case drains: 7/16 inch I.D. slip-on fitting for soft plastic tubing		
Power requirements (Voltage)	100 - 240 V AC		
Power requirements (Hz)	50/60 Hz		

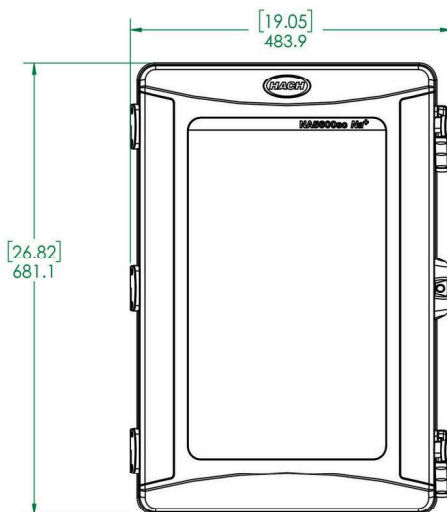
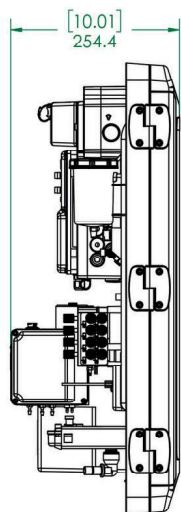
*Subject to change without notice.

Principle of Operation

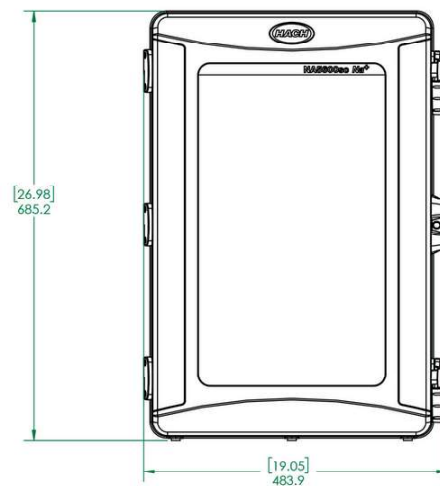
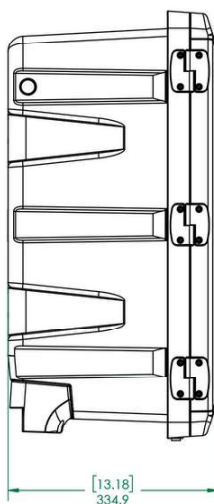
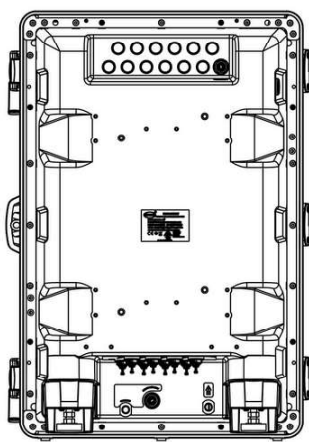
The Hach NA5600sc Sodium Analyser uses an ion-selective electrode measurement after pH conditioning. Sample pH conditioning is essential for limiting the interference of temperature or other ions on sodium measurement. Constant, temperature-compensated buffering is assured using regulated reagent addition across sample pH and temperature changes. In case of a multichannel version the “smart” rinsing sequence between channels ensures a minimum cycle time of 10 minutes and no carry-over effect.

Dimensions

Panel Version



Enclosure Version



Order Information

Analysers

Unit with Enclosure	Panel Mount Unit	
LXV526.98.1011A	LXV526.98.2011A	NA5600sc Online Sodium Analyser, 1-channel
LXV526.98.1012A	LXV526.98.2012A	NA5600sc Online Sodium Analyser, 2-channel
LXV526.98.1014A	LXV526.98.2014A	NA5600sc Online Sodium Analyser, 4-channel
LXV526.98.1111A	LXV526.98.2111A	NA5600sc Online Sodium Analyser, 1-channel, with Autocalibration
LXV526.98.1112A	LXV526.98.2112A	NA5600sc Online Sodium Analyser, 2-channel, with Autocalibration
LXV526.98.1114A	LXV526.98.2114A	NA5600sc Online Sodium Analyser, 4-channel, with Autocalibration
LXV526.98.1211A	LXV526.98.2211A	NA5600sc Online Sodium Analyser, 1-channel, with Cation Kit
LXV526.98.1212A	LXV526.98.2212A	NA5600sc Online Sodium Analyser, 2-channel, with Cation Kit
LXV526.98.1214A	LXV526.98.2214A	NA5600sc Online Sodium Analyser, 4-channel, with Cation Kit
LXV526.98.1311A	LXV526.98.2311A	NA5600sc Online Sodium Analyser, 1-channel, with Cation Kit & Autocalibration
LXV526.98.1312A	LXV526.98.2312A	NA5600sc Online Sodium Analyser, 2-channel, with Cation Kit & Autocalibration
LXV526.98.1314A	LXV526.98.2314A	NA5600sc Online Sodium Analyser, 4-channel, with Cation Kit & Autocalibration

Upgrade Options

8371200	Kit, K-pump NA5600sc
9013205	Modbus RS232/485 Module
9173900	Profibus DP Module (SC200)
8425800	Hart Module
8428000	Prognosys NA5600sc License Kit

Accessories

595=010=000	Sample Filter, 100 micron, metric fittings
595=010=005	Sample Filter; 100 micron, imperial fittings
8368900	Kit, Heater Exchange, NA5600sc

Consumables and Spare Parts

9660500	NA5600sc one year spare parts kit
595=010=906	Replacement Filter Cartridges, pk/6
363140,00500	Reference Electrolyte, KCl, 3 M, 500 mL
2834453	Diisopropylamine, 99%, 1 L
2835153	Sodium Standard, 10 ppm, 1 L
2834253	Sodium Standard, 100 ppm, 1 L
2507149	Sodium Nitrate, 0.5M, 500 mL

Be confident with Hach Service

Start-Up/Commissioning: Our service technicians visit your site and setup instrumentation, provide basic end-user training on operations and maintenance, and validate settings and performance to get you started.

Service Agreement: Hach provides on-site and in-factory repair, preventive maintenance, and calibration programs for your instruments to ensure reliability and instrument up-time. We have services to fit your specific needs.



PL 16 (Palokorvenkatu 2)
04261 Kerava
Puh. 010 417 4500
hyxo@hyxo.fi • www.hyxo.fi

www.hach.com



Be Right™