

DOC053.52.90471

Tank rim mount

AISE, NISE & AN-ISE sc

Description & Technical data

Content

Inhaltsverzeichnis

LZY714.99.32x20

Pole Mount Kit 24cm bracket (Stainless Steel) for AISE, NISE & AN-ISE sc

page 3+4+5



6184900(.99.00000)

Pole Mount Kit, Swivel (CPVC) for AISE, NISE & AN-ISE sc

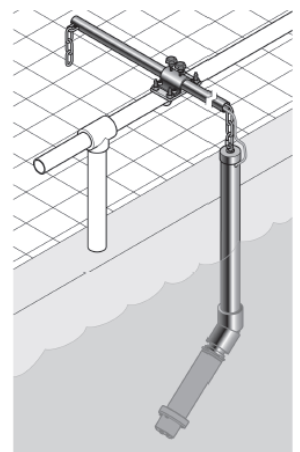
page 6+7



LZX914.99.12400

Chain Mount Kit (PVC) for ISE sensors

page 8+9



LZY714.99.32x20

Tank rim mount for NISE, AN-ISE and AISE sensors

L	Z	Y	7	1	4	.	9	9	.	3	2	X	2	0
---	---	---	---	---	---	---	---	---	---	---	---	---	---	---

Sensor adapter kit (SS + PVC)															
<u>Mounting hardware style /</u>															
24cm Bracket (SS).....											2				
<u>Pipe end cap per parameter /</u>															
Nitrate (yellow) NISE											2				
AN-ISE (blue)											3				
Ammonia (green).....											6				
Stainless steel pole 2m															

LZY714.99.32x20

Pole Mount Kit with 24cm bracket with pole (Stainless Steel) for NISE, AN-ISE and AISE sensors

Part number:

For NISE:	LZY714.99.32220
For AN-ISE:	LZY714.99.32320
For AISE:	LZY714.99.32620

Specifications:

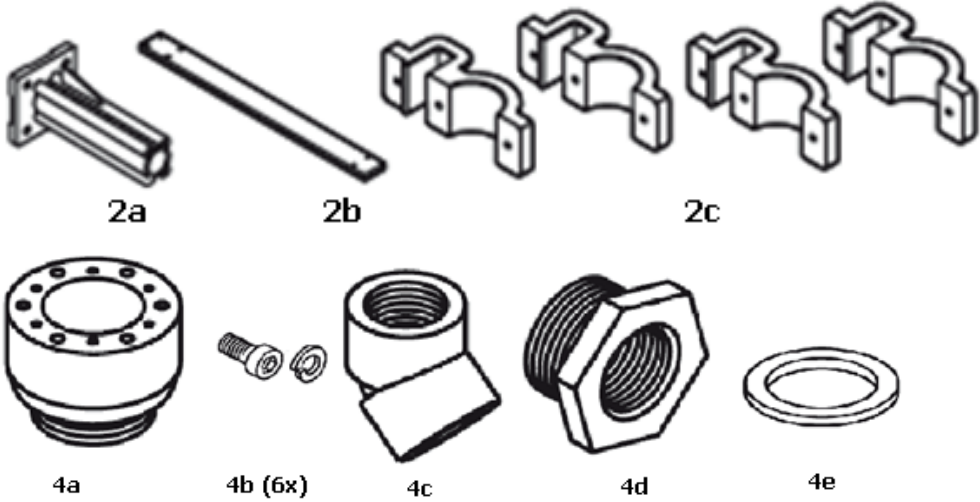
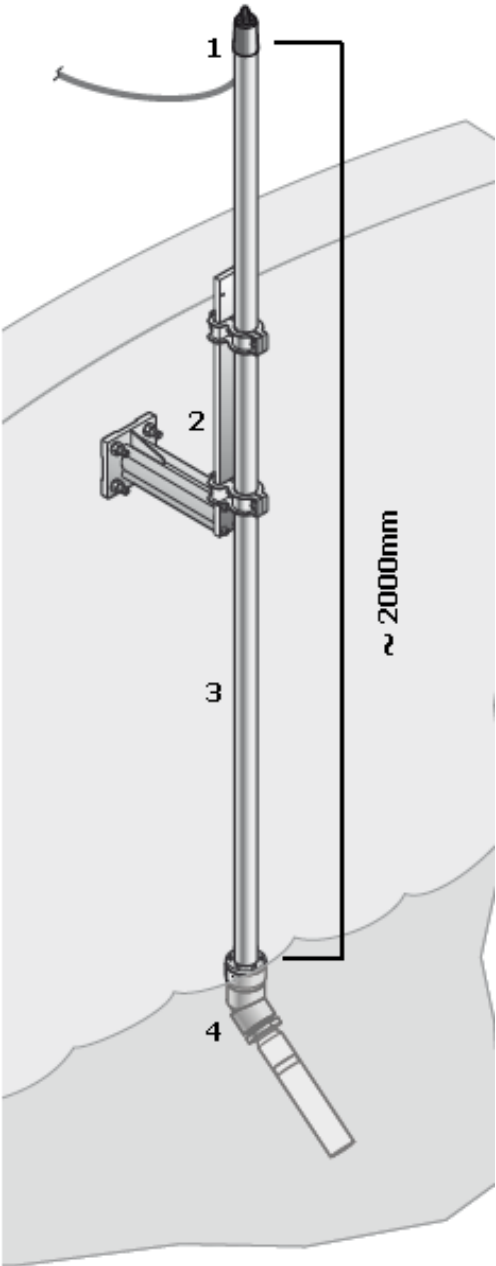
- Pole: length x diameter 2000mm x 40mm
- Material pole: SS 1.4301
- Material end cap: PVC
- Material ISE adapter kit: SS 1.4301 & PVC
- Material bracket: SS

LZY714.99.32x20, Pole mount kit with 24cm bracket				
Pos.	Description	Qty in: LZY714.99.32x20	Spare part number	Qty
1	End cap Nitrate	1	LZY714.99.00200	1
	End cap AN-ISE	1	LZY714.99.00300	1
	End cap AISE	1	LZY714.99.00600	1
2	24cm Bracket	1	LZY714.99.02000	1
3	Pole with flange	1	LZY714.99.00020	1
4	ISE adapter kit / ISE Adapter kit	1	See single components	

LZY714.99.02000, 24cm Bracket				
Pos.	Description	Qty in: LZY714.99.02000	Spare part number	Qty
2a	Base 24cm (SS 1.4308)	1	LZY438	1
2b	Plate (SS 1.4571)	1	LZY770	1
2c	Pole clamp set (SS 1.4308)	2	LZY449 (incl. screws)	1
	Screw set (SS)	1	LZY823	1

LZY714.99.30000, ISE adapter kit				
Pos.	Description	Qty in: LZY714.99.30000	Spare part number	Qty
4a	Flange adapter (SS 1.4301)	1	LZY510	1
4b	Screw set (SS)	1	LZY362	1
4c	Elbow 45° (PVC)	1	LZY545	1
4d	Reducer (PVC)	1	LZY546	1
4 ^e	O-ring (EPDM)	1	LZY506	1

LZY714.99.32x20



6184900(.99.00000)

Pole Mount Kit swivel (PVC) for ISE sensors

Specifications

Mounting: railing (max diameter 50mm)

- Pole: length x diameter 2000mm x 48mm
- Material pole: PVC
- Material end cap: PVC
- Material elbow 45°: PVC
- Material reducer: PVC
- Material swivel: SS 1.4571 & CPVC

Pos.	Description	Qty in: 6184900(.99.00000)	Spare part number	Qty
1a	End cap	1	LZY048	1
1b	Grommet	1	1H1203	1
2	Swivel	1	276G1200	1
3	Pole	1	1000F3407-00882	1
4	Elbow 45°	1	LZY546	1
5	Reducer	1	LZY545	1

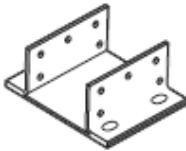
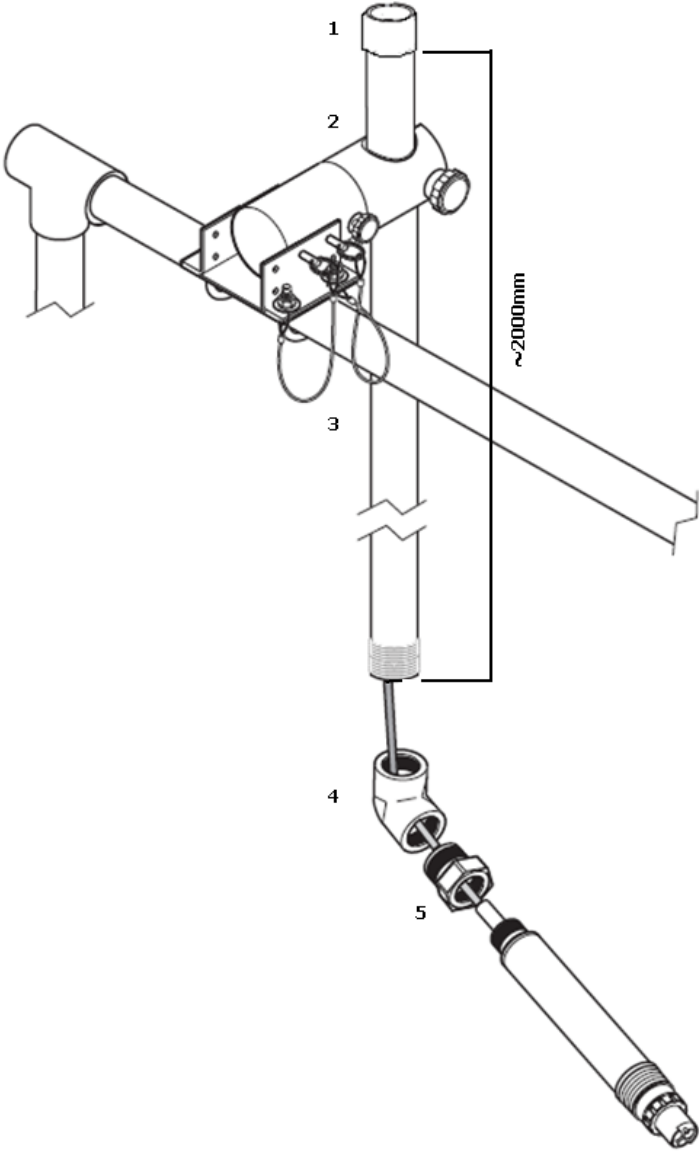
276G1200, Swivel

Pos.	Description	Qty in: 276G1200	Spare part number	Qty
2a	SS mounting bracket	1	276A3A1203	1
2b	U-bolt Ø50mm	2	9H1000	1
2c	Clevis pin with lanyard	2	9H1394 & 9H1285-040	1 1
2d	CPVC clamp	1		1

276G1206, Support

Pos.	Description	Qty in: 276G1206	Spare part number	Qty
3a	U-bolt Ø50mm	1	9H1000	1
3b	Support	1	276G1206 (complete)	1

6184900(.99.00000)



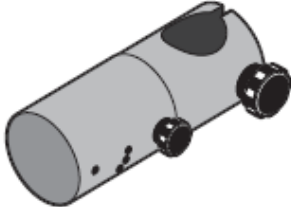
2a



2b



2c



2d



3a



3b

LZX914.99.12400

Chain mount kit (PVC) for ISE sensors

Chain mount kit for simple installation of ISE sensors on the basin rim (railing or concrete wall).
Immersion depth adjustable, total chain length 5m.

Consisting off:

- Pole
- Bracket for pole
- Sensor armature
- Chain

Specifications

- Mounting: railing: (max diameter 46mm)
- Wall
- Pole length * diameter: 1200 x 34mm
- Armature: length x diameter 600 x 48mm
- Chain: 5000mm

Pole:				
Pos.	Description	Qty in: LZX914.99.12400	Spare part number	Qty
1	Pole (SS 1.4571)	1	LZX914.99.11000	1

Bracket:				
Pos.	Description	Qty in: LZX914.99.12200	Spare part number	Qty
2a	Mounting plate (SS 1.4571)	1	LZX914.99.11000	1
2b	Clamp (SS 1.4571)	1	LZX914.99.11000	1
2c	Pole fixing screw (SS)	2	} LZX843	2
2d	Mounting screw	4		4
2e	U - Bolt (SS 1.4301 /1.4571)	2		2

Sensor armature: LZY577				
Pos.	Description	Qty in set	Spare part number	Qty
3a	Pole 600 mm (PVC)	1	LZY577	1
3b	Screw cap 1,5" (PVC)	1	LZY048	1
3c	Grommet	1	LZX864	1
3d	Elbow 45 (PVC)	1	LZY546	1
3 ^e	Reducer (PVC)	1	LZY545	1

Chain:				
Pos.	Description	Qty in set	Spare part number	Qty
4	Chain (PVC)	1	LZX891	1

LZX914.99.12400

