

ABF Filters

Automatic self-cleaning filters for high loads of suspended solids and heavy duty applications



flow rates

**up to 7200 m³/h
(32000 US gpm)**

filtration degrees

**3500-200
micron**

water for cleaning

**less than 1%
of the total flow**

minimum operating pressure

2 bar (30 psi)

features:

- Heavy duty filter for high loads of suspended solids and high flow-rates
- Durable electrically driven revolving-brush cleaning mechanism
- Automatic flushing according to pressure differential and/or time
- Option for continuous flushing
- Low pressure operation, suitable for 2 bar (30 psi) and lower
- No interruption of downstream flow during flushing
- Applications: Water supply systems, cooling water, wastewater treatment
- Industries: manufacturing, mining, water and wastewater treatment plants, turf, agriculture, etc.

How the ABF Strainers Work

General

Amiad's ABF Series consists of heavy duty automatic filters with an electric self-cleaning mechanism. The five models of the "ABF" product line range in flow-rates of up to 7200 m³/h (32000 US gpm) with screens ranging from 3,500-200 micron filtration degree.

The Filtering Process

Raw water enters the inside of the screen-cylinder (1) from the filter's Inlet (2) and flows through the screen to the filter's Outlet (3). The dirt particles are trapped on the inner screen surface and formulate a "filtration cake" that causes a differential pressure across the screen.

The Self-Cleaning Process

During the self-cleaning process, filtered process water continues to flow. The Exhaust Valve (4) opens and the Drive Unit (5) rotates two stainless steel brushes (6) which sweep the inner surface of the cylindrical screen. The particles trapped on the screen are dislodged by the brushes and flushed out the exhaust valve.

The Control System

The control system is comprised of a Pressure Differential Switch (7) that senses the pressure differential across the screen and sends a signal to the control board when it reaches a pre-defined value (usually 0.5 bar / 7 psi). The control board initiates the self-cleaning process.

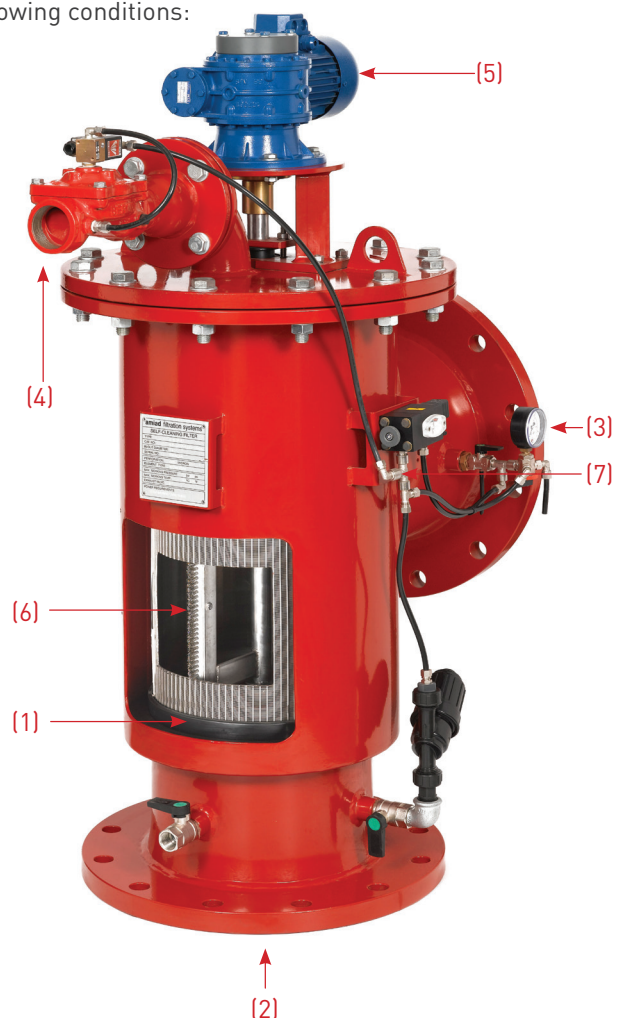
The filter begins a self-cleaning cycle under any one of the following conditions:

1. Receiving a signal from the Pressure Differential Switch
2. Time interval parameter set at the control board
3. Manual Start

"ABF" Models

Amiad's "ABF" product-line consists of the following models:

- ABF-6000 for up to 700 m³/h (3100 US gpm)
- ABF-10000 for up to 1000 m³/h (4400 US gpm)
- ABF-15000 for up to 1800 m³/h (8000 US gpm)
- Mega ABF 40000 up to 4000 m³/h (17600 US gpm)
- Mega ABF 60000 for up to 7200 m³/h (32000 US gpm)



Technical Specifications

Filter Type	ABF-6000	ABF-10000	ABF-15000	Mega ABF 40000	Mega ABF 60000
-------------	----------	-----------	-----------	----------------	----------------

General Data					
Maximum flow rate*	700 m ³ /h (3100 US gpm)	1000 m ³ /h (4400 US gpm)	1800 m ³ /h (8000 US gpm)	4000 m ³ /h (17600 US gpm)	7200 m ³ /h (32000 US gpm)
Inlet/Outlet diameter	8"-14" (200-350 mm)	8"-16" (200-400 mm)	14"-20" (350-500 mm)	16"-24" (400-600 mm)	20"-36" (500-900 mm)
Standard filtration degrees	Perforated screen 3500, 2500, 1500, 800 micron Wedge Wire Screen 800, 500, 300, 200 micron				
Min. working pressure	2 bar (30 psi) 1 bar (15 psi) upon request				
Max. working pressure	10 bar (145 psi) 16 bar (232 psi) upon request				
Max. working temperature	60°C (140°F) 95°C (203°F) upon request				
Electrical Supply	230/480 VAC				
Weight [empty]	213-260 kg (470-573 lb)	310-380 kg (683-838 lb)	650 kg (1430 lb)	2250 kg (4960 lb)	6200 kg (13670 lb)

Flushing Data					
Minimum flow for flushing	50 m ³ /h (220 US gpm)	70 m ³ /h (300 US gpm)	70 m ³ /h (300 US gpm)	70-140 m ³ /h (300-600) US gpm)	70-140 m ³ /h (300-600) US gpm)
Reject water volume per flush cycle	200 liter (53 US gallon)	300 liter (80 US gallon)	300 liter (80 US gallon)	1200 liter (317 US gallon)	1200 liter (317 US gallon)
Flushing cycle time	15-30 seconds At 60 Hz			4 x 30 seconds	
Exhaust valve	2" 50 mm	3" 80 mm	3" 80 mm	4 x 3" 80 mm	4 x 3" 80 mm
Flushing criteria	Differential pressure of 0.5 bar (7psi), time intervals and manual operation				

* Amiad offers a variety of construction materials. Please consult us for specifications.

Technical Specifications

Filter Type	ABF-6000	ABF-10000	ABF-15000	Mega ABF 40000	Mega ABF 60000
-------------	----------	-----------	-----------	----------------	----------------

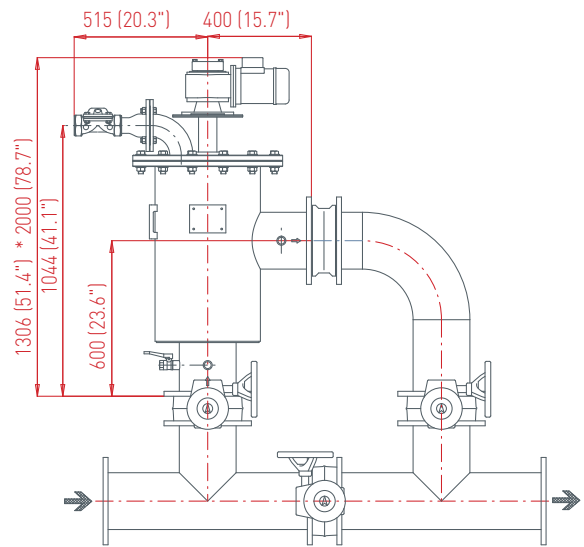
Screen Data					
Filter area	6000 cm ² (930 in ²)	10000 cm ² (1550 in ²)	15000 cm ² (2325 in ²)	40000 cm ² (6200 in ²)	60000 cm ² (9300 in ²)
Screen types	316 St. St. wedge wire 316 St. St. perforated screen				

Control and Electricity					
Rated operation voltage	3 phase, 230/480V, 50/60Hz				
Electric motor	¾ HP Gear Output 18 RPM	1 HP Gear Output 22 RPM	1.5 HP Gear Output 18 RPM	4 x 1 HP Gear Output 22 RPM	4 x 1.5 HP Gear Output 18 RPM
Current consumption	1.5 Amp.	2.5 Amp.	3.0 Amp.	2.5 Amp.	3.0 Amp.
Control voltage	24 VAC				

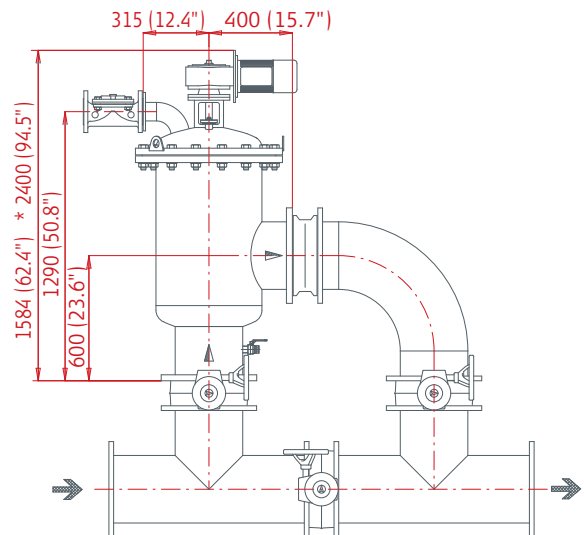
Construction Materials*	
Filter housing and lid	Epoxy or Polyester coated carbon steel 37-2
Cleaning mechanism	Stainless steel 316L, PVC, Acetal
Exhaust valve	Epoxy-coated cast iron, Natural rubber
Seals	Synthetic rubber, Teflon
Control	Brass, Stainless steel, Nylon

* Amiad offers a variety of construction materials. Please consult us for specifications.

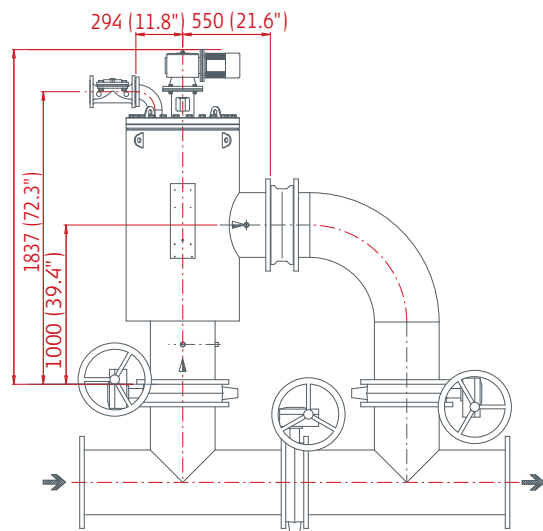
ABF 6000



ABF 10000



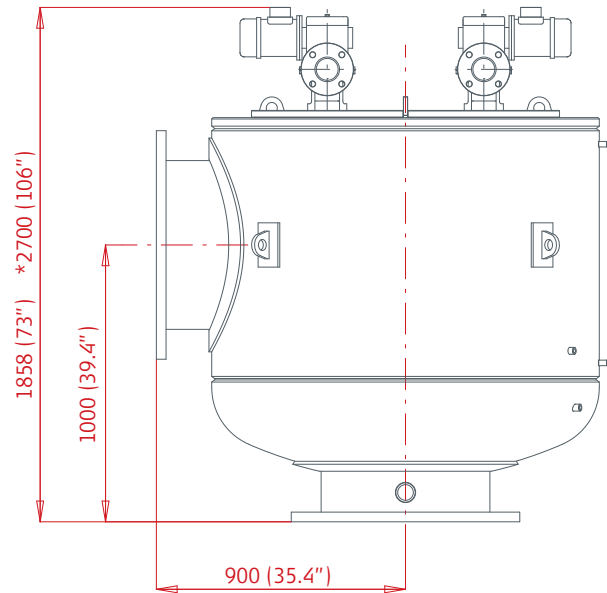
ABF 15000



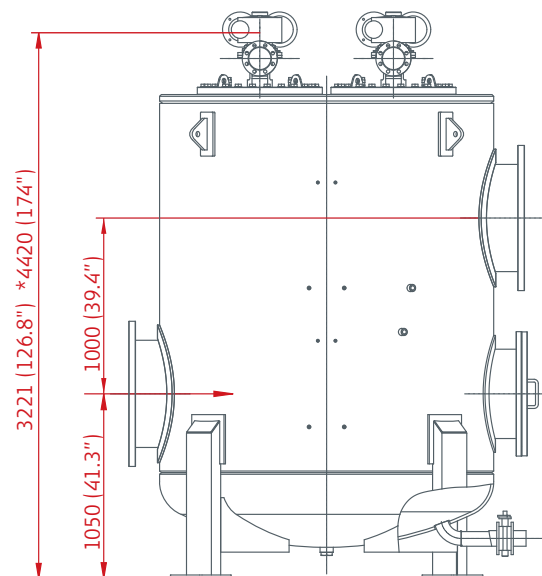
Dim. in mm (inch)

*Approx. length required for maintenance

MEGA ABF 40000



MEGA ABF 60000

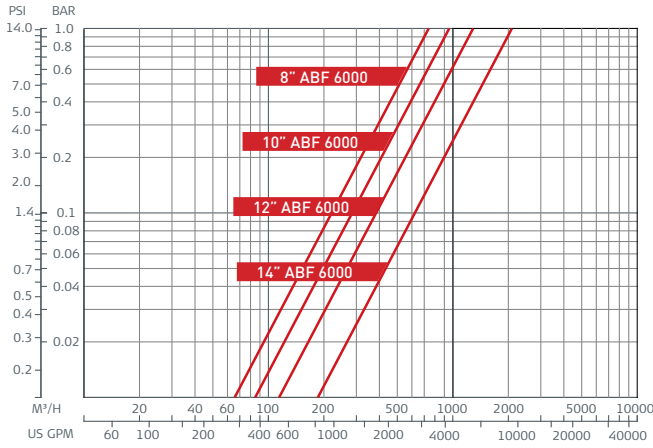


Dim. in mm (inch)

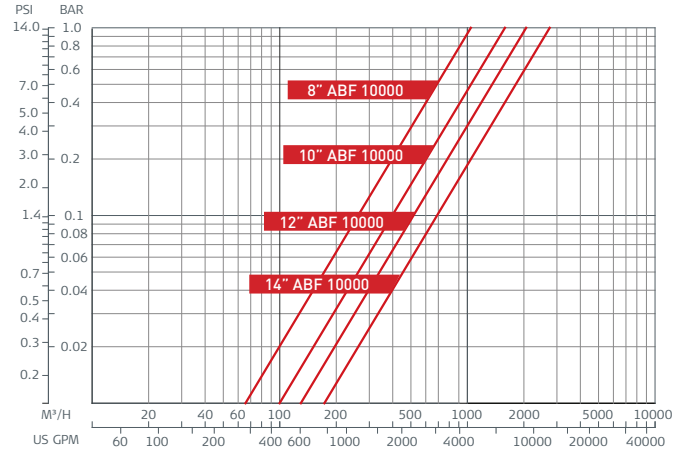
*Approx. length required for maintenance

Head Loss Graphs

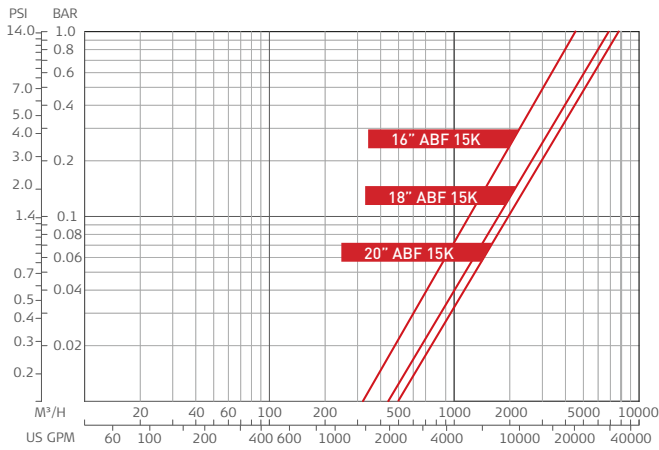
ABF 6000



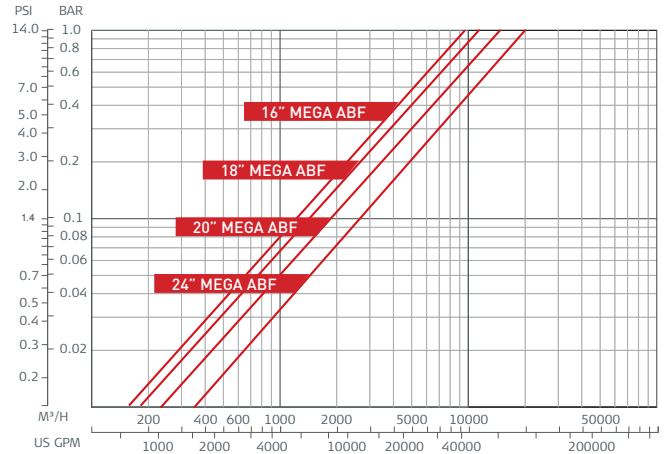
ABF 10000



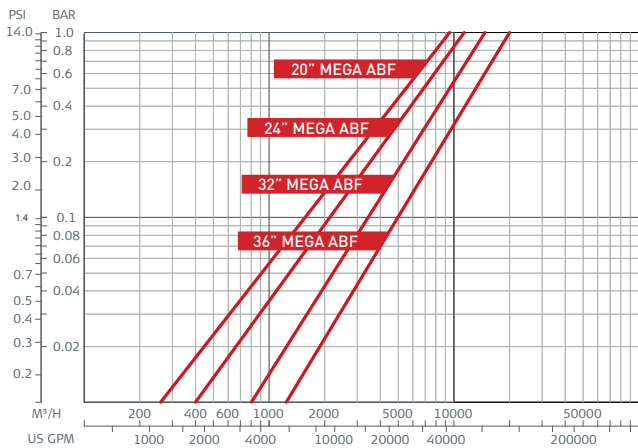
ABF 15000



MEGA ABF 40000



MEGA ABF 60000





Municipal



Industry



Irrigation

Hyxo Oy

P.O. Box 16 (Palokorvenkatu 2)
FI-04261 Kerava, Finland
Tel. +358 10 417 4500
Fax +358 10 417 4501
hyxo@hyxo.fi • www.hyxo.com

Headquarters

Amiad Water Systems Ltd. D.N. Galil Elyon 1, 12335, Israel,
Tel: 972 4 690 9500, Fax: 972 4 690 9391,
E-mail: info@amiad.com

North America

Amiad Filtration Systems, 2220 Celsius Avenue, Oxnard,
California 93030, USA, Tel: 1 805 988 3323, Fax: 1 805 988 3313,
E-mail: info@amiadusa.com

South America

Amiad Oil & Gas, Benito Nardone 2219, Montevideo, Uruguay,
Tel: 598 2 7117617, Fax: 598 2 7120816,
E-mail: amisur@adinet.com.uy

Chile

Amiad Andina, Carretera General San Martín 16.500 No 30,
Loteo Industrial Los Libertadores, Colina, Santiago de Chile,
Tel: 56 2 489 5100, Fax: 56 2 489 5101,
E-mail: amiadandina@amiad.com

Brazil

E-mail: amiad@amiad.com.br

Europe

Amiad Water Systems Europe SAS, Ilot No4 ZI La Boitardière,
37530 Chargé, Tel: 33 (0) 2 47 23 01 10, Fax: 33 (0) 2 47 23 80 67,
E-mail: info@amiadfrance.com

Germany

Amiad Filtration Solutions (2004) Ltd. Zweigniederlassung
Deutschland Prinz-Regent-Str. 68 a 44795 Bochum,
Tel: 49 (0) 234 588082-0, Fax: 49 (0) 234 588082-12,
E-mail: info@amiad.de

Turkey

FTS – Filtration & Treatment Systems, Istanbul yolu 26 Km,
Yurt Orta Sanayii, Saray, Ankara, Tel: 90 312 8155266/7,
Fax: 90 312 8155248, E-mail: info@fts-filtration.com

India

Amiad Filtration India Pvt Limited, 305 Sai Commercial Building
Govandi St Rd, Govandi Mumbai 400 088, Tel: 91 22-67997813/14,
Fax: 91 22-67997814, Email: info@amiadindia.com

China

Yixing Taixing Environtec Co., Ltd. 70 Baihe Chang, Xingjie Yixing
Jiangsu, 214204, Tel: 86 510 87134000, Fax: 86 510 87134999,
E-mail: marketing@taixing.cc

South-East Asia

Filtration & Control Systems Pte. Ltd., 19B Teo Hong Road,
088330 Singapore, Tel: 65 6 337 6698, Fax: 65 6 337 8180,
E-mail: fcs1071@pacific.net.sg

Australia

Amiad Australia Pty Ltd. 138 Northcorp Boulevard,
Broadmeadows, Victoria 3047,
Tel: 61 3 93585800, Fax: 61 3 93585888,
E-mail: sales@amiad.com.au

www.amiad.com

NP.00893/10.2011

