



SAF-X | Simply Better

Improvements Review

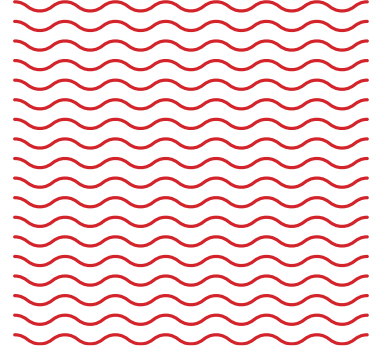
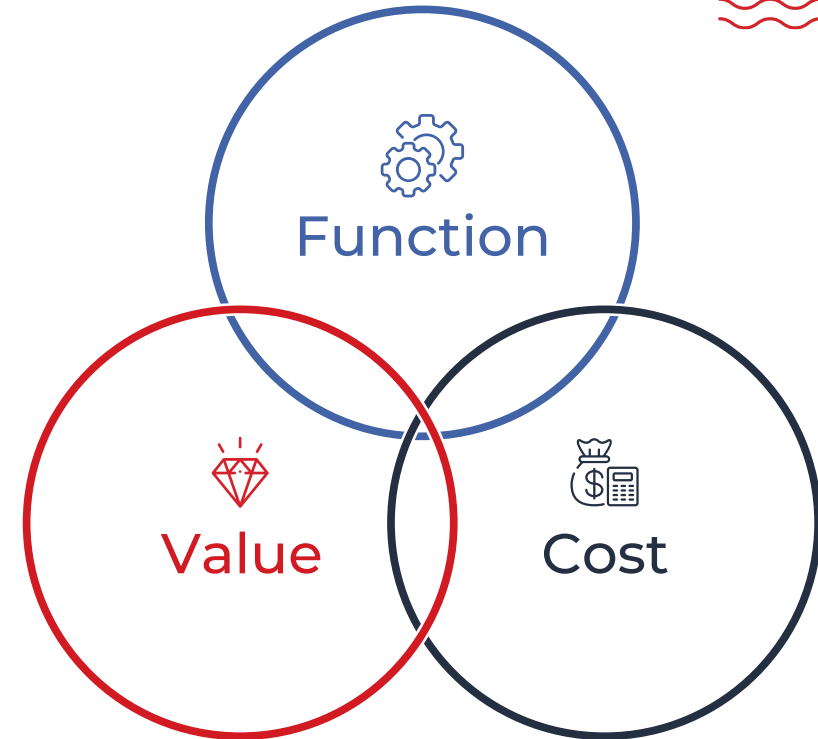
Nov. 2021



SAF Series: Value Engineering

Value engineering is an organized effort directed at analyzing designed features, equipment and material selections in order to achieve essential functions at the lowest life cycle cost consistent with required performance, quality, reliability, and safety.

Amiad continually assesses the processes that make our products the highest quality available.





SAF Series: The Original

Amiad's automatic SAF filters have been in the market for over 20 years and provide efficient and reliable filtration solutions in thousands of installations in a wide range of applications.

**Amiad SAF Series consists of 4 filter models:
SAF 1500, SAF 3000, SAF 4500, SAF 6000.**

The SAF 1500, SAF 3000, SAF 4500 models were merged into one range, allowing for standardization of parts.

The SAF 6000 continues to be available with its current multiple options.

- SAF Pro remains AS IS for special applications

SAF-X: Fresh Design

Updated appearance with the same outstanding functionality



SAF 1500



SAF-X 1500

SAF-X: Fresh Design

Updated appearance with the same outstanding functionality



SAF 3000



SAF-X 3000

SAF-X: Fresh Design

Updated appearance with the same outstanding functionality



SAF 4500

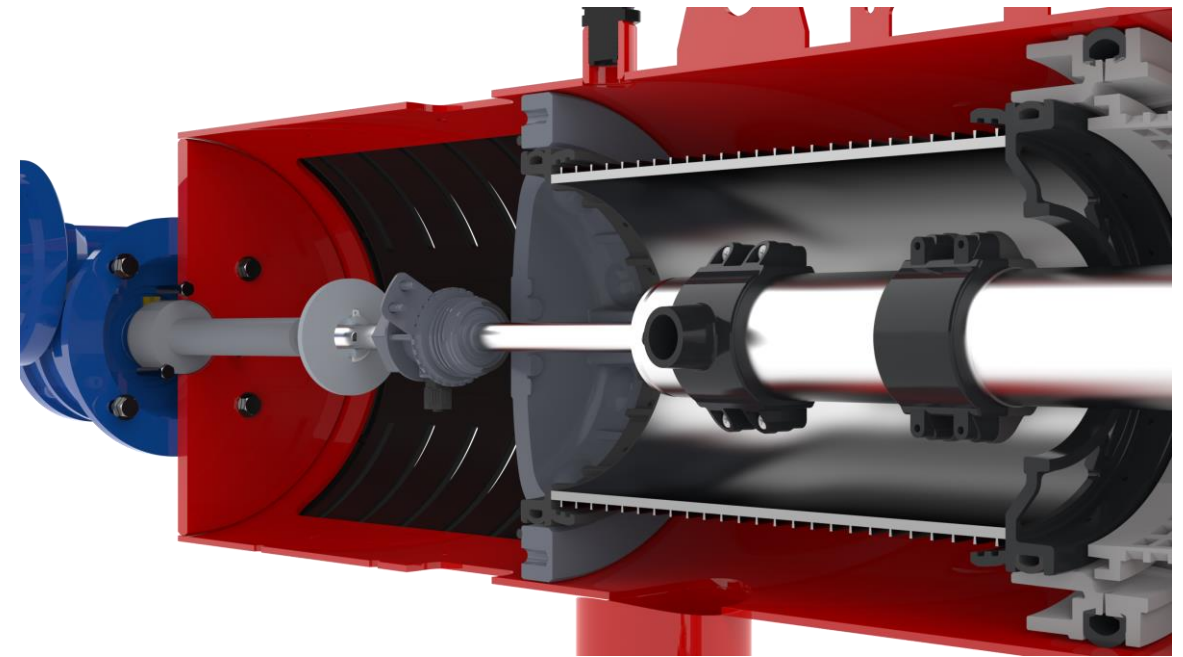
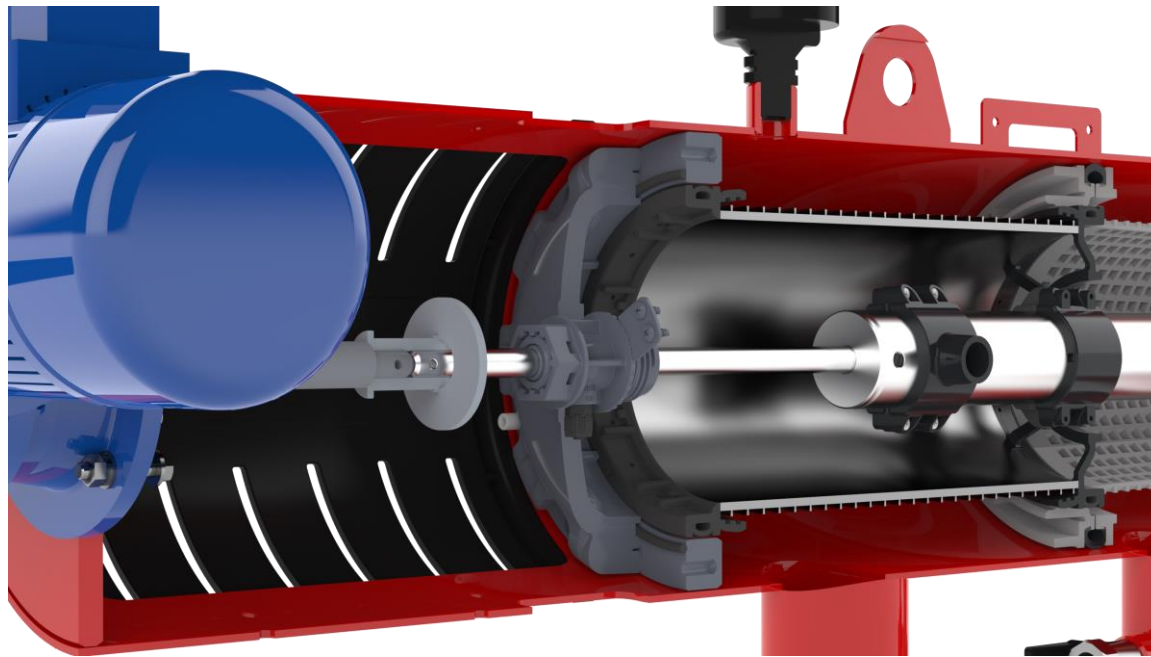


SAF-X 4500

What are the benefits of the SAF-X ?

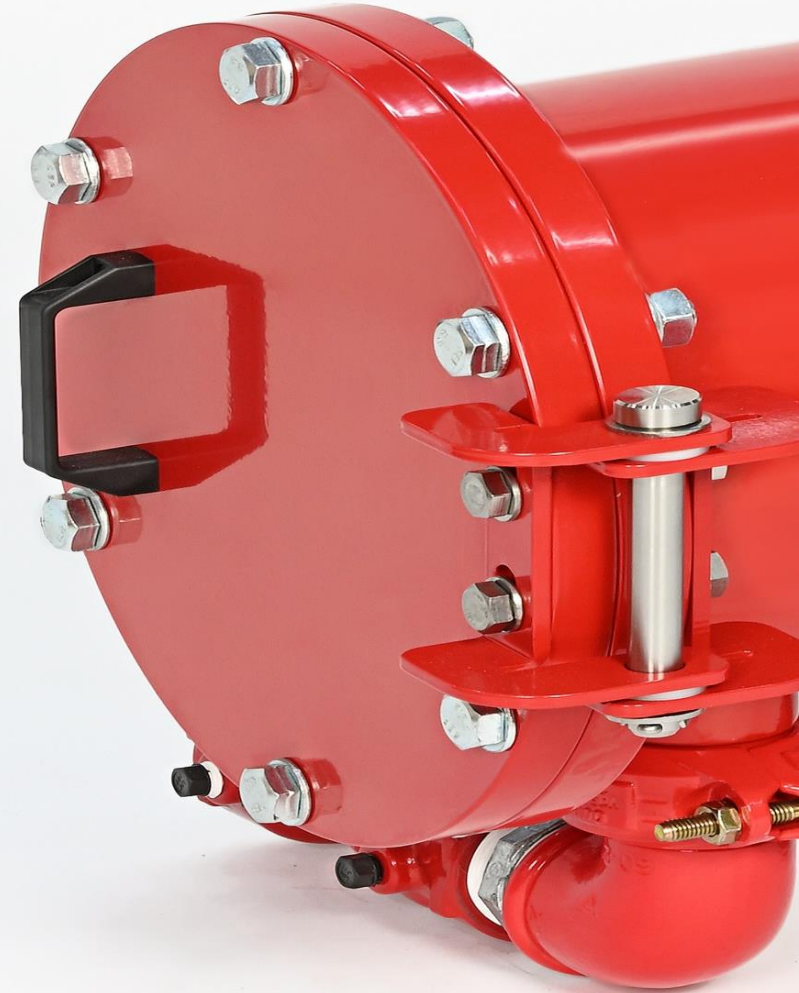
Advanced Bearing and Sealing System

New assembly for improved sealing efficiency, higher performance and easy mounting



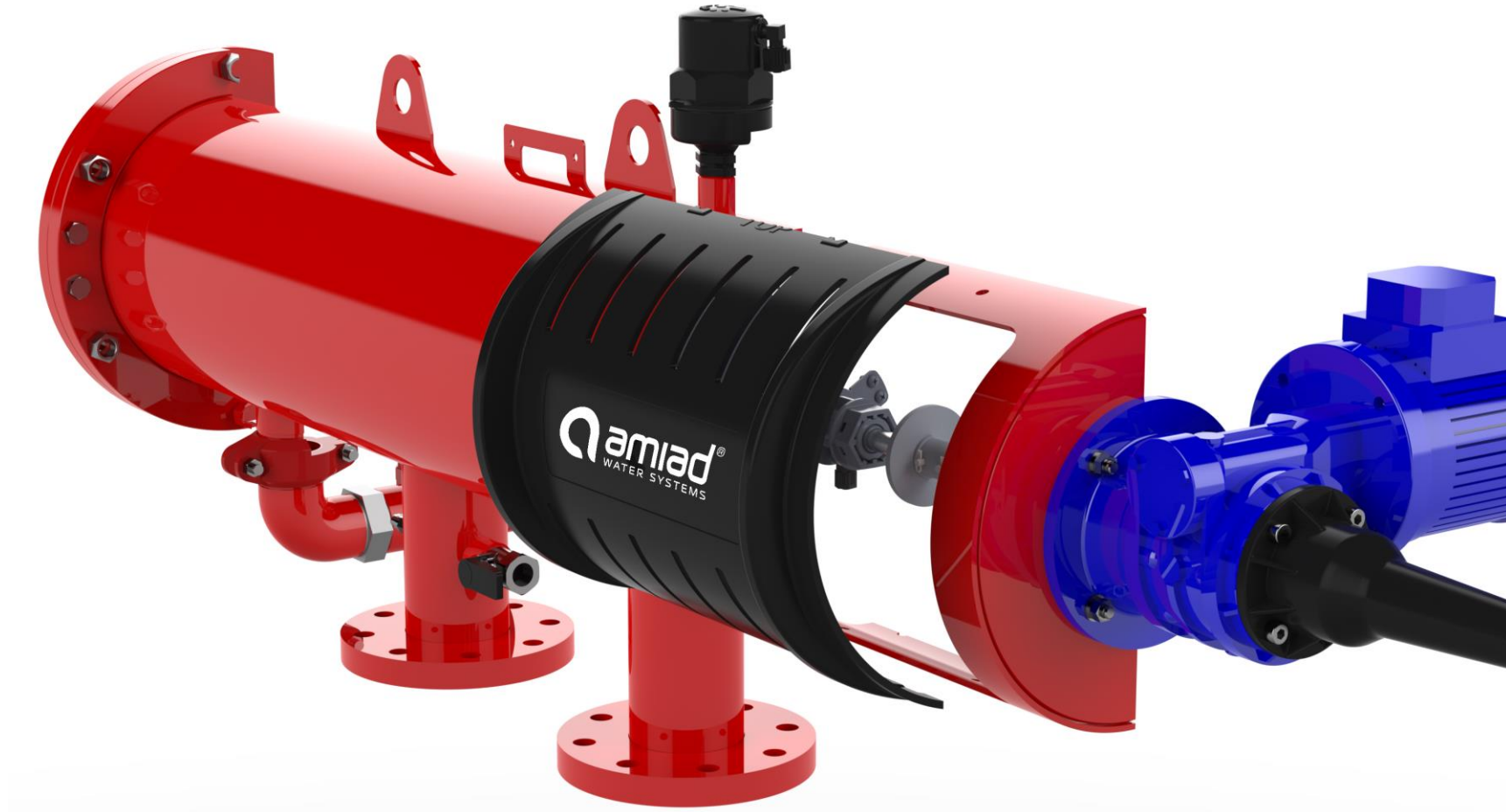
Usability

Easy Maintenance – Hinged filter lid for convenient opening



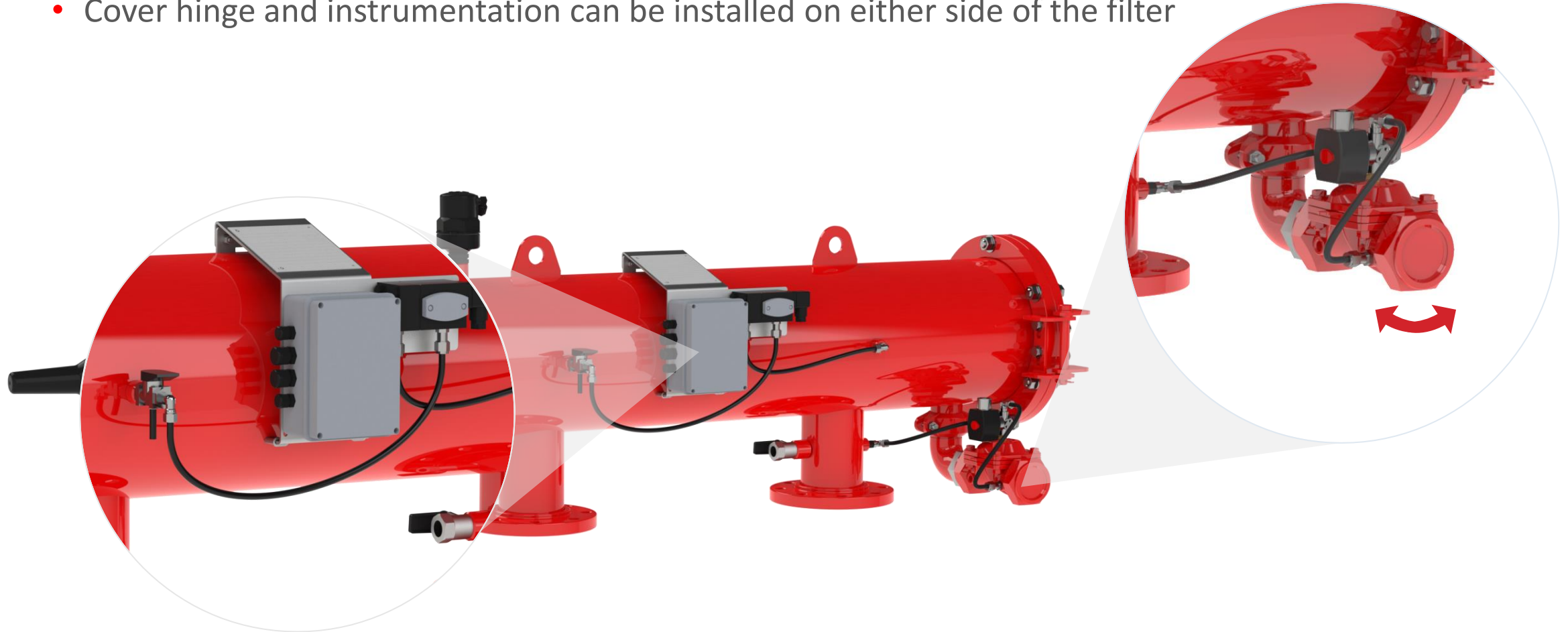
Usability

Polymeric side cover for easy access and maintenance



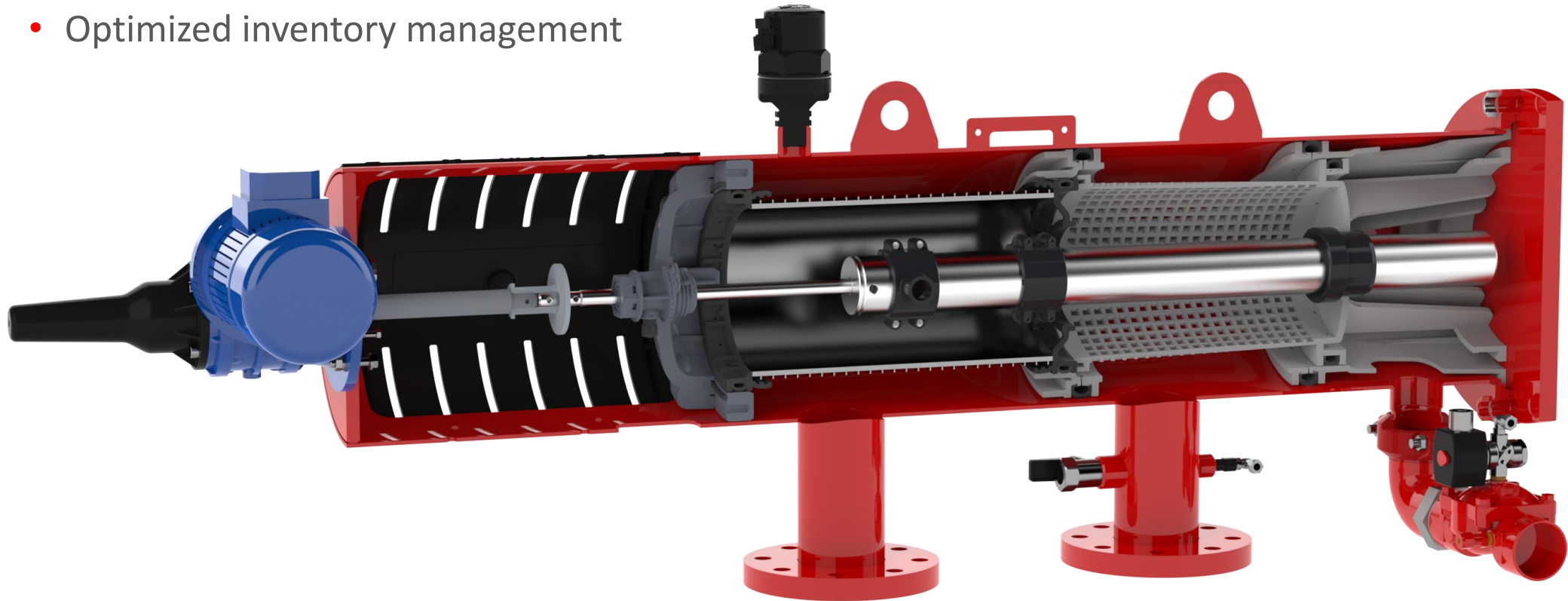
Flexibility

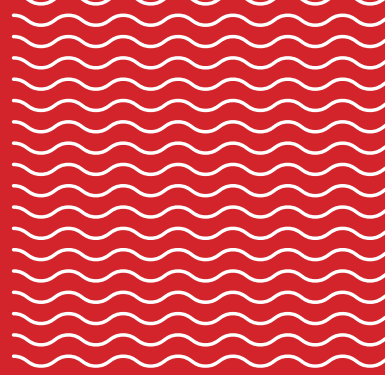
- Swivel connection of the flushing valve
- Cover hinge and instrumentation can be installed on either side of the filter



Standardization

- Common parts for all models
- Optimized inventory management





Thank *You*